



The guarantee of your protection will be only ensured after the erlab® laboratory approval. Please contact your supplier and benefit from the ESP® (Erlab Safety Program) for a validation of the safety parameters (type of column, filter lifetime, saturation detection method and replacement filter procedure...), linked to the use of this cabinet.

## Technical specifications

Dimensions (inches)						
Ref.	External dimensions			Internal dimensions - without work surface		
	Width	Depth	Height*	Width	Depth	Height
XL 712	70 7/8"	37"	45 2/8" mini 52 5/8" maxi	69 1/2"	31 1/4"	35"

\*According to filtration column type

Structure	
<b>Metallic parts</b>	Anti-corrosion metallic alloy protected by a thermo-hardened anti-acid polymer coating
<b>Side and front panels</b>	3/16" thick acrylic
<b>Filtration module</b>	Polypropylene

Specifications	
<b>Number of columns</b>	2
<b>Number of fans (IP44)</b>	2
<b>Processed air flow</b>	270 cfm
<b>Air velocity at the openings in working position</b>	79 fpm to 118 fpm
<b>Voltage / Frequency</b>	85-260 V / 50-60 Hz
<b>Total power consumption</b>	90 watts (without lighting)
<b>Amperage absorbed</b>	3,6 amp.
<b>Sound level</b>	55 dbA

Modular filtration column			
Class 2 - (NFX 15-211 : 2009 standard)		Class 1 - (NFX 15-211 : 2009 standard)	
<b>Type IC</b> Liquid chemicals handlings		<b>Type 2C</b> Liquid chemicals handlings	
<b>Type IP IC</b> Liquid chemicals and powders handlings		<b>Type IP 2C</b> Liquid chemicals and powders handlings	
<b>Type IC IP</b> Liquid chemicals and powders handlings in clean room		<b>Type 2C IP</b> Liquid chemicals and powders handlings in clean room	

Molecular filter      H14 HEPA filter

## Equipments

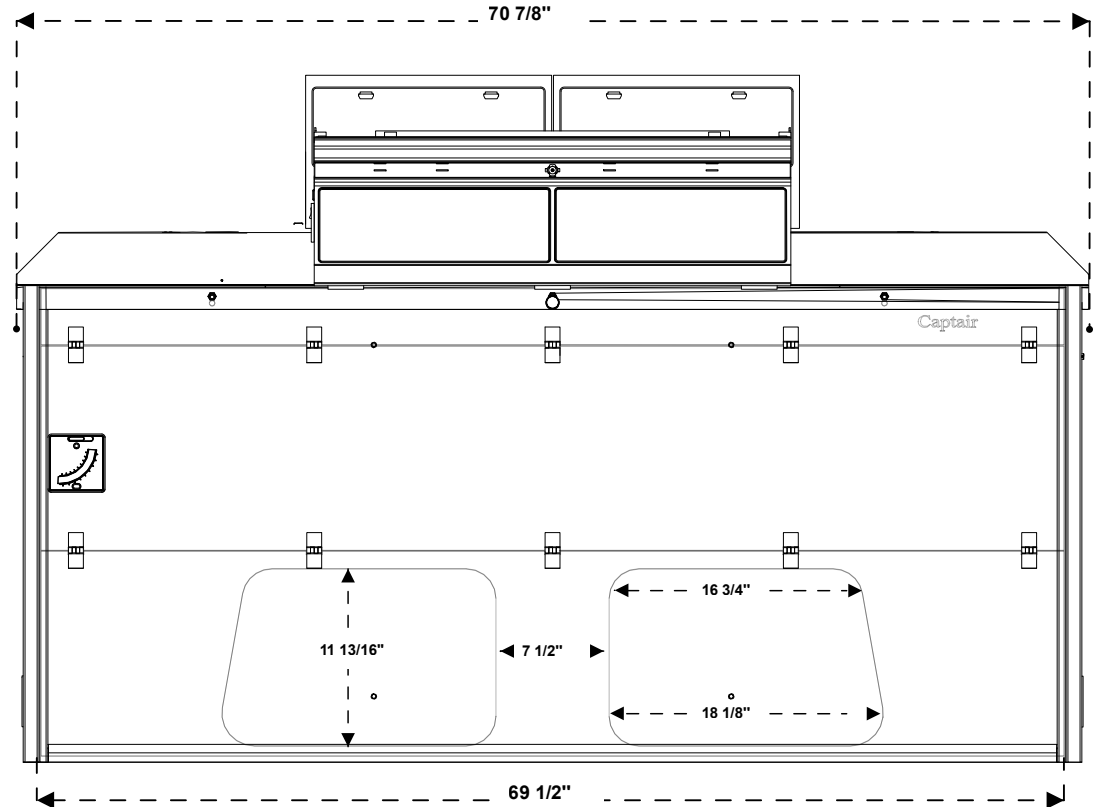
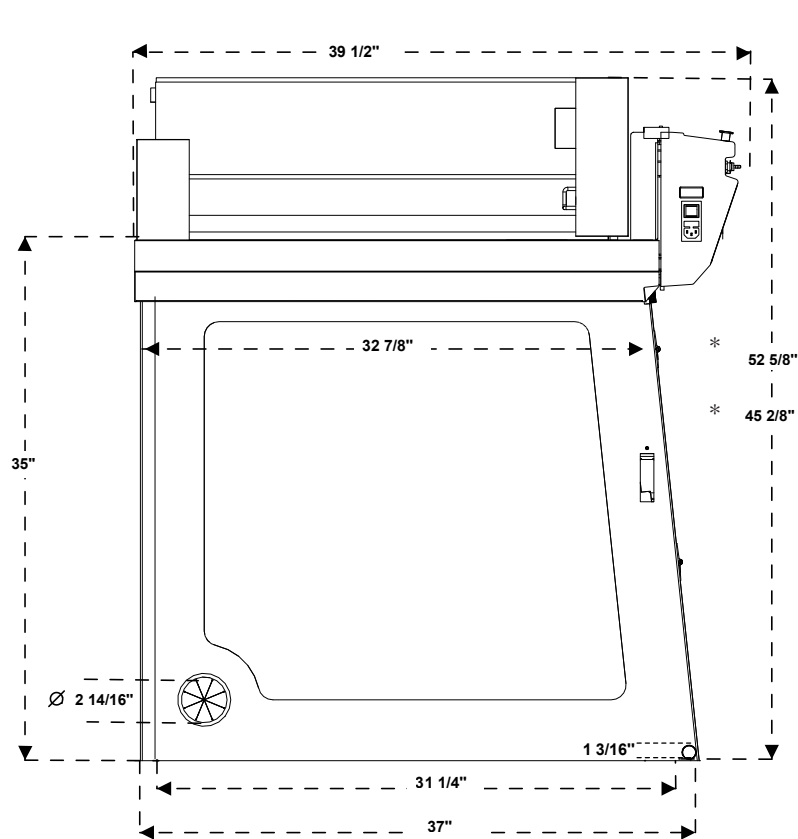
Standard Equipment		Options	
<b>Air flow meter</b>	Permanent air face velocity monitoring system	<b>Molecode S*</b>	Automatic alarm to detect filter saturation by solvents according to NF X 15 211 : 2009 standard (*compulsory for class 1 configuration)
<b>Flow monitor</b>	Permanent ventilation control device according to EN 14175-2:2003 standard	<b>Work surface N°1</b>	Metallic spill tray with tempered glass work surface
<b>Sampling port</b>	For filter saturation detection (N/A if Molecode S installed)	<b>Work surface N°2</b>	In phenolic resin with built-in retention tray
<b>Programmable timer</b>	Timer - 60 hours setting by default according to NFX 15 211 : 2009 standard	<b>External lighting</b>	Pivoting - 11 Watts - 400 Lux - IP 20
<b>Energy ports</b>	For the passage of cables	<b>Internal lighting</b>	Compact tubular fluorescent lighting - 18 Watts - 500 Lux - IP 68
<b>Chemical Listing</b>	List of approved chemicals	<b>Benchcap</b>	Fixed work bench made of anti-corrosion metallic alloy
		<b>Shelf</b>	Adjustable sliding shelf for Benchcap
		<b>Transparent back panel</b>	Acrylic
		<b>Access door on rear panel</b>	For maintenance interventions

## Types of filters available

<b>GF4 AS</b>	For organic vapours
<b>GF4 BE +</b>	For organic vapours + acid vapours
<b>GF4 F</b>	For formaldehyde vapours
<b>GF4 K</b>	For ammonia vapours
<b>GF4 HP</b>	H14 HEPA Filter for powders

## Compliance to standards

- AFNOR NF X 15-211:2009 - France
- ANSI/ASHRAE 110-1995 - USA
- BS 7258 - England
- CSA Z316.5 - Canada
- CE Marking
- NF P92.507 (Acrylic part)
- EN 1822 : 1998 (H14 HEPA filter)

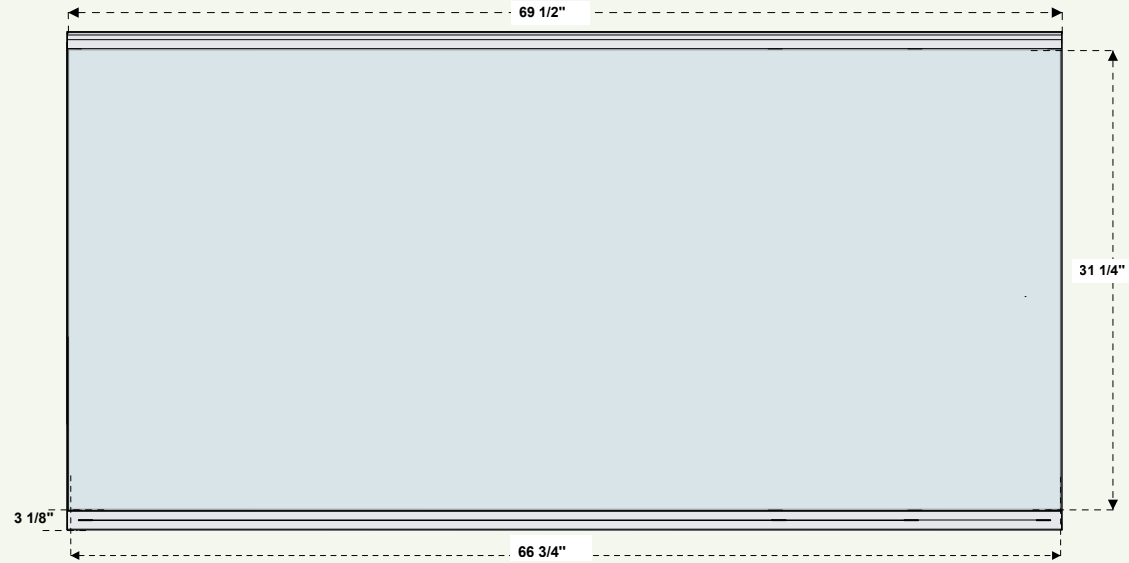


\* Total height according to filtration column type (inches)

Type 1C	45 2/8"	Type 2C	49 5/16"
Type IP 1C	48 3/8"	Type IP 2C	52 5/8"
Type 1C IP	48 3/8"	Type 2C IP	52 5/8"



**Work surface N°1**



**Work surface N°2**





The guarantee of your protection will be only ensured after the erlab® laboratory approval. Please contact your supplier and benefit from the ESP® (Erlab Safety Program) for a validation of the safety parameters (type of column, filter lifetime, saturation detection method and replacement filter procedure...), linked to the use of this cabinet.

## Technical specifications

Dimensions (inches)						
Ref.	External dimensions			Internal dimensions - without work surface		
	Width	Depth	Height*	Width	Depth	Height
XL 713	70 7/8"	37"	45 2/8" mini 52 5/8" maxi	69 1/2"	31 1/4"	35"

\*According to filtration column type

Structure	
<b>Metallic parts</b>	Anti-corrosion metallic alloy protected by a thermo-hardened anti-acid polymer coating
<b>Side and front panels</b>	3/16" thick acrylic
<b>Filtration module</b>	Polypropylene

Specifications	
<b>Number of columns</b>	3
<b>Number of fans (IP44)</b>	3
<b>Processed air flow</b>	405 cfm
<b>Air velocity at the openings in working position</b>	79 fpm to 118 fpm
<b>Voltage / Frequency</b>	85-260 V / 50-60 Hz
<b>Total power consumption</b>	135 watts (without lighting)
<b>Amperage absorbed</b>	4,8 amp.
<b>Sound level</b>	58 dbA

Modular filtration column			
Class 2 - (NFX 15-211 : 2009 standard)		Class 1 - (NFX 15-211 : 2009 standard)	
<b>Type IC</b> Liquid chemicals handlings		<b>Type 2C</b> Liquid chemicals handlings	
<b>Type IP IC</b> Liquid chemicals and powders handlings		<b>Type IP 2C</b> Liquid chemicals and powders handlings	
<b>Type IC IP</b> Liquid chemicals and powders handlings in clean room		<b>Type 2C IP</b> Liquid chemicals and powders handlings in clean room	

Molecular filter      H14 HEPA filter

## Equipments

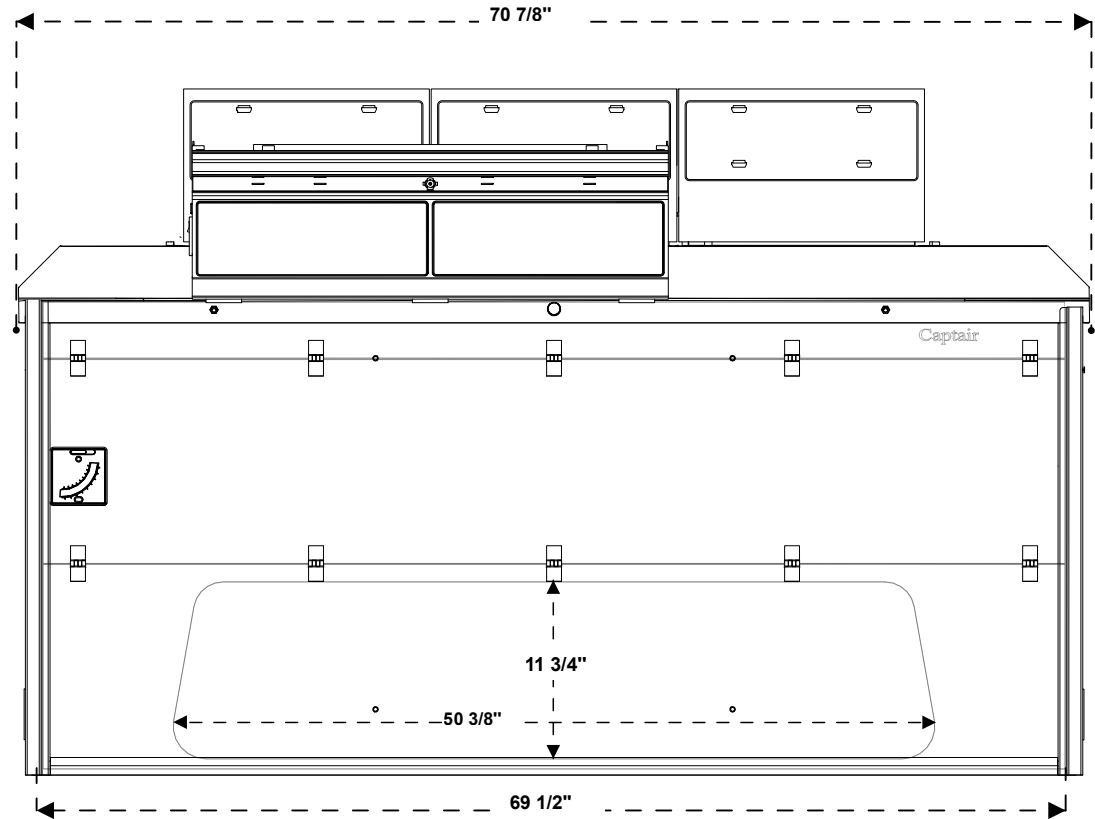
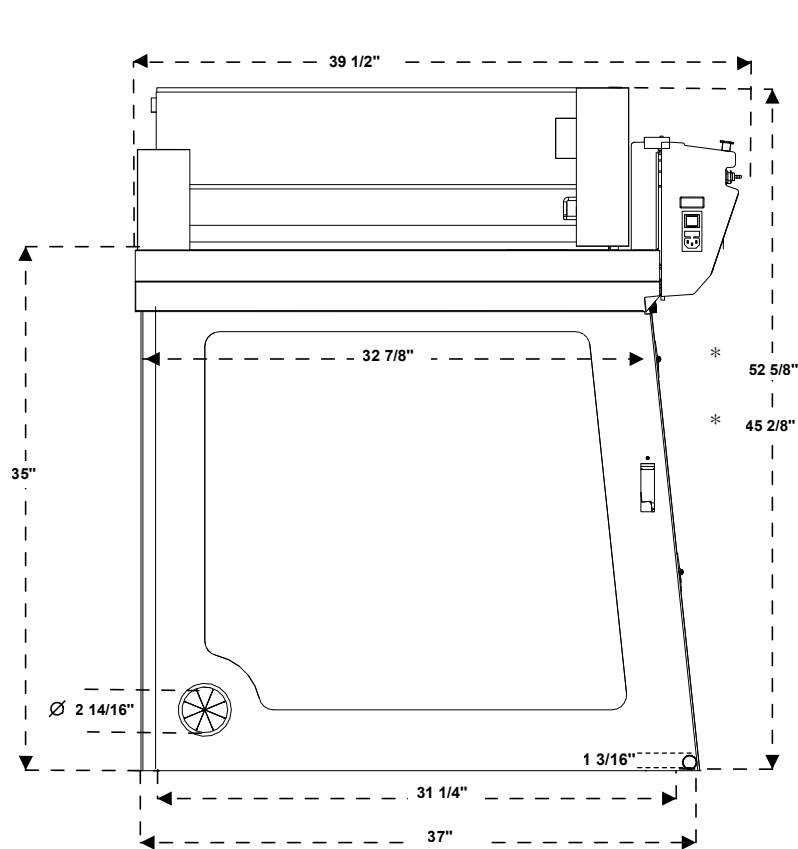
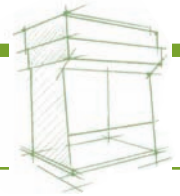
Standard Equipment		Options	
<b>Air flow meter</b>	Permanent air face velocity monitoring system	<b>Molecode S*</b>	Automatic alarm to detect filter saturation by solvents according to NF X 15 211 : 2009 standard (*compulsory for class 1 configuration)
<b>Flow monitor</b>	Permanent ventilation control device according to EN 14175-2:2003 standard	<b>Work surface N°1</b>	Metallic spill tray with tempered glass work surface
<b>Sampling port</b>	For filter saturation detection (N/A if Molecode S installed)	<b>Work surface N°2</b>	In phenolic resin with built-in retention tray
<b>Programmable timer</b>	Timer - 60 hours setting by default according to NFX 15 211 : 2009 standard	<b>External lighting</b>	Pivoting - 11 Watts - 400 Lux - IP 20
<b>Energy ports</b>	For the passage of cables	<b>Internal lighting</b>	Compact tubular fluorescent lighting - 18Watts - 500 Lux - IP 68
<b>Chemical Listing</b>	List of approved chemicals	<b>Benchcap</b>	Fixed work bench made of anti-corrosion metallic alloy
		<b>Shelf</b>	Adjustable sliding shelf for Benchcap
		<b>Transparent back panel</b>	Acrylic
		<b>Access door on rear panel</b>	For maintenance interventions

## Types of filters available

<b>GF4 AS</b>	For organic vapours
<b>GF4 BE +</b>	For organic vapours + acid vapours
<b>GF4 F</b>	For formaldehyde vapours
<b>GF4 K</b>	For ammonia vapours
<b>GF4 HP</b>	H14 HEPA Filter for powders

## Compliance to standards

- AFNOR NF X 15-211:2009 - France
- ANSI/ASHRAE 110-1995 - USA
- BS 7258 - England
- CSA Z316.5 - Canada
- CE Marking
- NF P92.507 (Acrylic part)
- EN 1822 : 1998 (H14 HEPA filter)

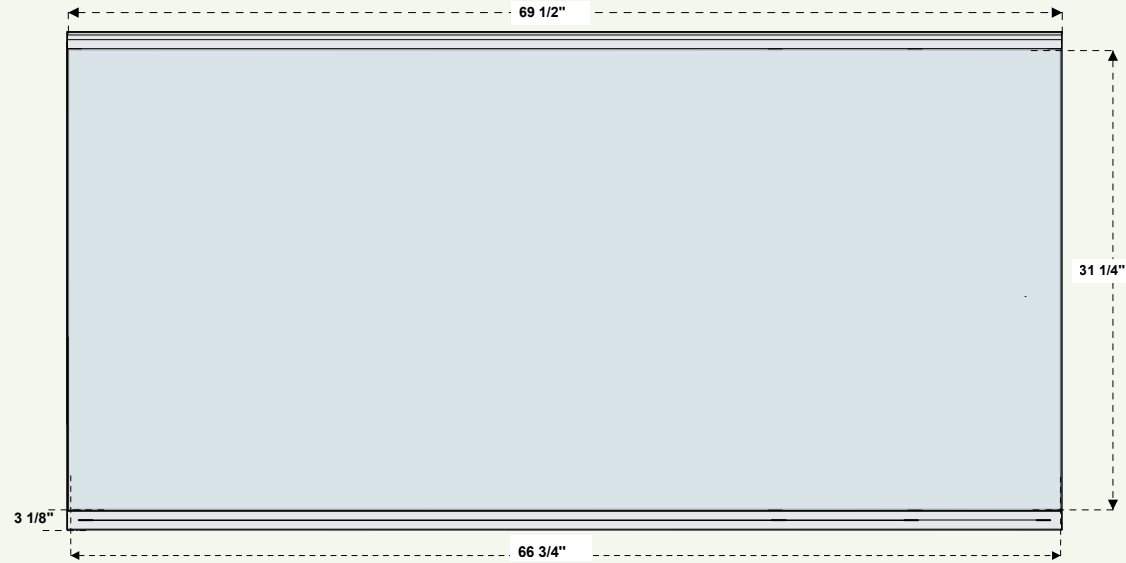


\*Total height according to filtration column type (inches)

Type 1C	45 2/8"	Type 2C	49 5/16"
Type 1P 1C	48 3/8"	Type 1P 2C	52 5/8"
Type 1C 1P	48 3/8"	Type 2C 1P	52 5/8"



Work surface N°1



Work surface N°2





The guarantee of your protection will be only ensured after the erlab® laboratory approval. Please contact your supplier and benefit from the ESP® (Erlab Safety Program) for a validation of the safety parameters (type of column, filter lifetime, saturation detection method and replacement filter procedure...), linked to the use of this cabinet.

## Technical specifications

Dimensions (inches)						
Ref.	External dimensions			Internal dimensions - without work surface		
	Width	Depth	Height*	Width	Depth	Height
XL 713	70 7/8"	37"	45 2/8" mini 52 5/8" maxi	69 1/2"	31 1/4"	35"

\*According to filtration column type

Structure	
<b>Metallic parts</b>	Anti-corrosion metallic alloy protected by a thermo-hardened anti-acid polymer coating
<b>Side and front panels</b>	3/16" thick acrylic
<b>Filtration module</b>	Polypropylene

Specifications	
<b>Number of columns</b>	4
<b>Number of fans (IP44)</b>	4
<b>Processed air flow</b>	540 cfm
<b>Air velocity at the openings in working position</b>	79 fpm to 118 fpm
<b>Voltage / Frequency</b>	85-260 V / 50-60 Hz
<b>Total power consumption</b>	180 watts (without lighting)
<b>Amperage absorbed</b>	6,4 amp.
<b>Sound level</b>	61 dbA

Modular filtration column	
<b>Type IP</b> Powders handlings	

Modular filtration column			
Class 2 - (NFX 15-211 : 2009 standard)		Class 1 - (NFX 15-211 : 2009 standard)	
<b>Type IC</b> Liquid chemicals handlings		<b>Type 2C</b> Liquid chemicals handlings	
<b>Type IP IC</b> Liquid chemicals and powders handlings		<b>Type IP 2C</b> Liquid chemicals and powders handlings	
<b>Type IC IP</b> Liquid chemicals and powders handlings in clean room		<b>Type 2C IP</b> Liquid chemicals and powders handlings in clean room	

Molecular filter     
 H14 HEPA filter

## Equipments

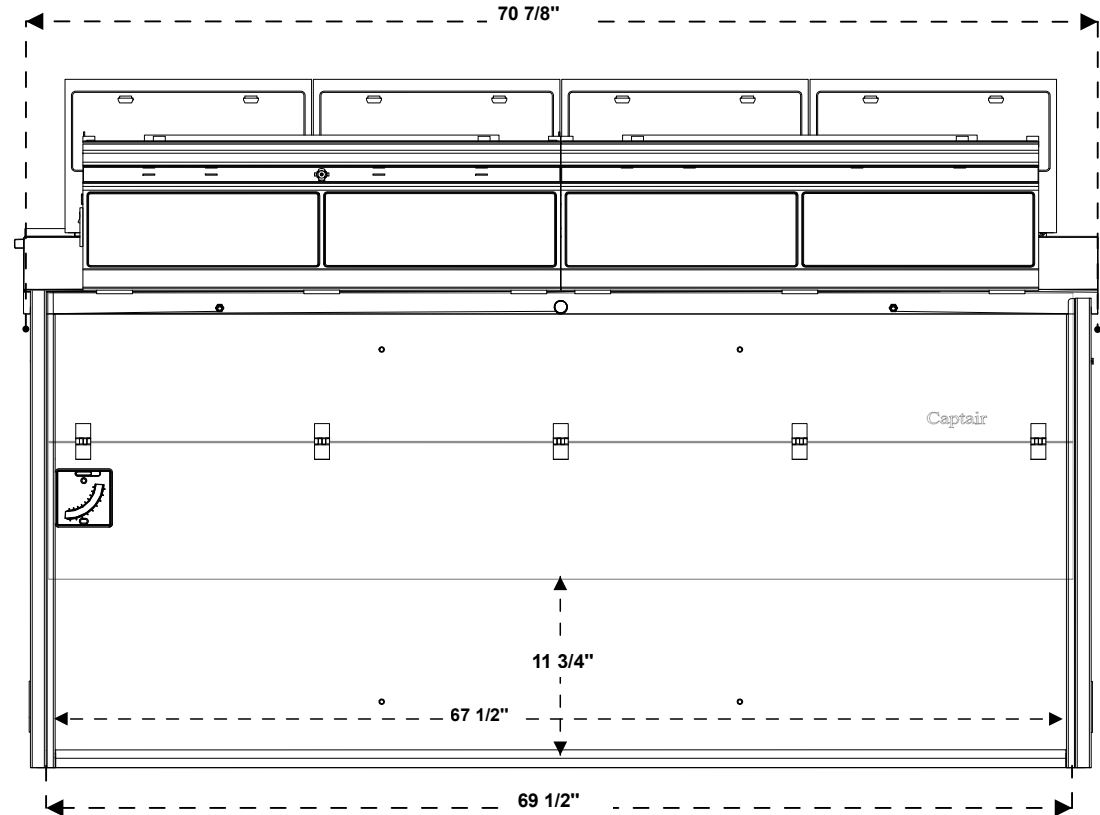
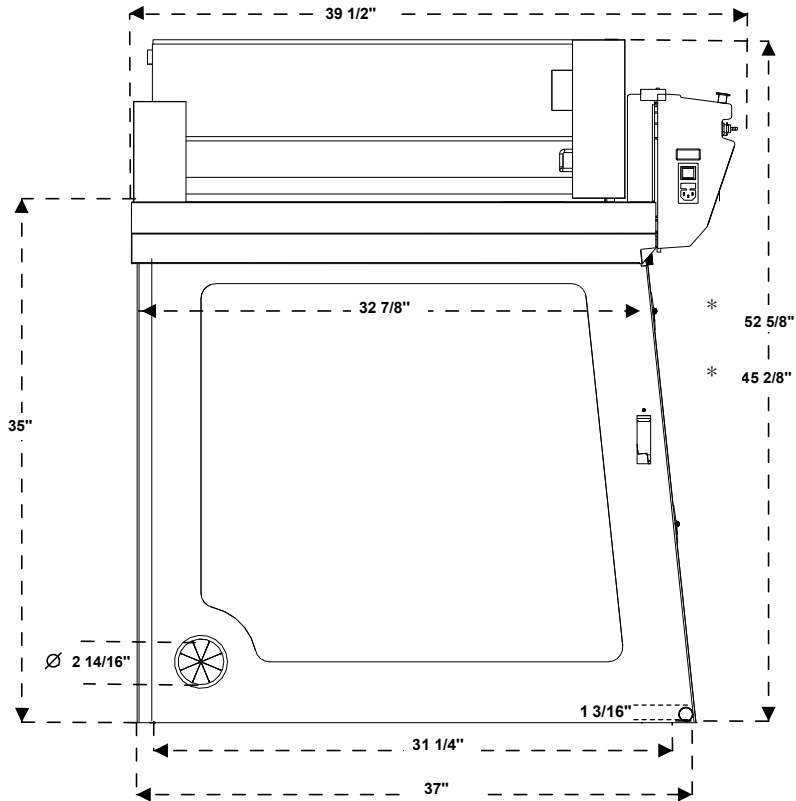
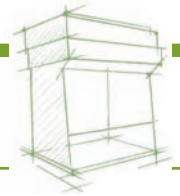
Standard Equipment		Options	
<b>Air flow meter</b>	Permanent air face velocity monitoring system	<b>Molecode S*</b>	Automatic alarm to detect filter saturation by solvents according to NF X 15 211 : 2009 standard (*compulsory for class 1 configuration)
<b>Flow monitor</b>	Permanent ventilation control device according to EN 14175-2:2003 standard	<b>Work surface N°1</b>	Metallic spill tray with tempered glass work surface
<b>Sampling port</b>	For filter saturation detection (N/A if Molecode S installed)	<b>Work surface N°2</b>	In phenolic resin with built-in retention tray
<b>Programmable timer</b>	Timer - 60 hours setting by default according to NFX 15 211 : 2009 standard	<b>External lighting</b>	Pivoting - 11 Watts - 400 Lux - IP 20
<b>Energy ports</b>	For the passage of cables	<b>Internal lighting</b>	Compact tubular fluorescent lighting - 18Watts - 500 Lux - IP 68
<b>Chemical Listing</b>	List of approved chemicals	<b>Benchcap</b>	Fixed work bench made of anti-corrosion metallic alloy
		<b>Shelf</b>	Adjustable sliding shelf for Benchcap
		<b>Transparent back panel</b>	Acrylic
		<b>Access door on rear panel</b>	For maintenance interventions

## Types of filters available

<b>GF4 AS</b>	For organic vapours
<b>GF4 BE +</b>	For organic vapours + acid vapours
<b>GF4 F</b>	For formaldehyde vapours
<b>GF4 K</b>	For ammonia vapours
<b>GF4 HP</b>	H14 HEPA Filter for powders

## Compliance to standards

- AFNOR NF X 15-211:2009 - France
- ANSI/ASHRAE 110-1995 - USA
- BS 7258 - England
- CSA Z316.5 - Canada
- CE Marking
- NF P92.507 (Acrylic part)
- EN 1822 : 1998 (H14 HEPA filter)



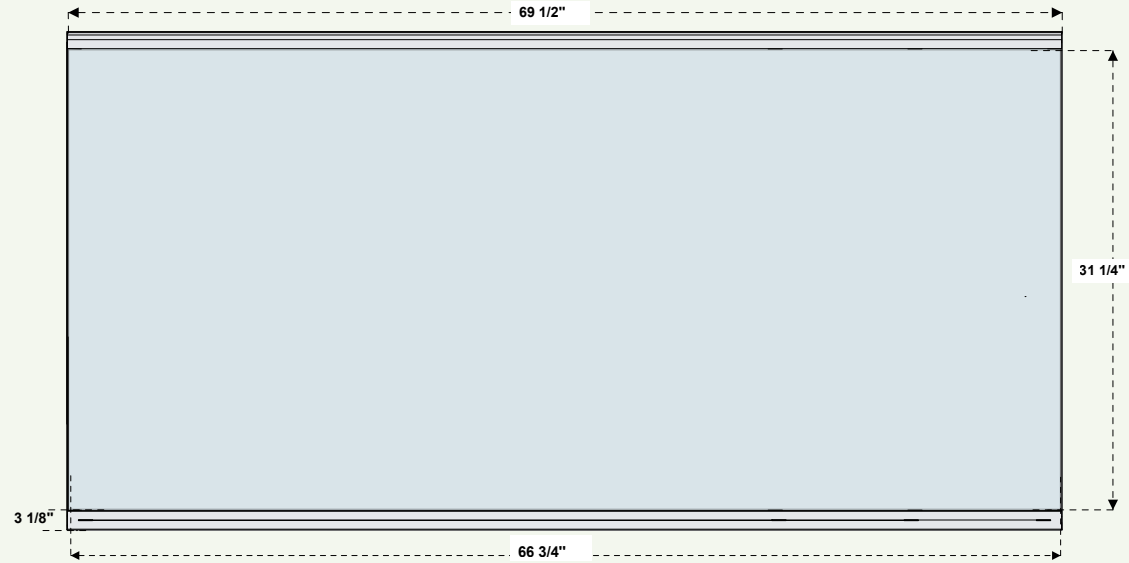
\*Total height according to filtration column type (mm)

Type IP	45 2/8"	Type 2C	49 5/16"
Type IC	45 2/8"	Type IP 2C	52 5/8"
Type IP IC	48 3/8"	Type 2C IP	52 5/8"
Type IC IP	48 3/8"		





**Work surface N°1**



**Work surface N°2**

