



Incubating Cooling Thermal Shakers



Industry Leading Thermal Shaker with Exceptional Heating/Cooling Performance with High Speed Shaking

OHAUS Thermal Shakers are designed for heating and cooling applications that require consistent and precise high-speed shaking with dependable temperature control from 17°C below ambient to 100°C. Temperature can be user-calibrated when precision is required. Customize applications with interchangeable blocks to accommodate tubes & microplates. Intuitive touchscreen allows the user to view all steps of the program while monitoring the progress.

Standard Features:

- Best in class temperature performance. Enhanced electronics and software allow for fast and accurate temperature control you can trust. Cooling models reach temperatures down to 17°C below ambient.
- Intuitive touchscreen for simple operation and programming. Set the functions and the comprehensive help screens in one of six languages to guide the user through the operation of the unit.
- Easily create programs for repeat applications. Storage for five separate, 5-step programs. The USB port allows the transfer of test data to a flash drive for data logging and program storage.

Incubating Cooling Thermal Shakers

Model	ISTHBLHTS	ISTHBLCTS
Shaker Type	Thermal Shaker	Cooling Thermal Shaker
Control	Touchscreen	
Motion	Orbital, 3 mm	
Speed Range	300 – 3000 rpm	
Speed Accuracy	± 2%	
Temperature Range	Ambient + 4 °C – 100 °C	17 °C below Ambient – 100 °C
Temperature Accuracy	+/- 1 °C between 20 °C and 45 °C; +/- 2 °C above 45 °C	+/- 0.5 °C between 20 °C and 45 °C; +/- 2 °C below 20 °C and above 45 °C
Heating Rate	5 °C/min	
Cooling Rate	Above ambient 2-3 °C/min, Below ambient 0.5-10 °C/min	
Timer	1 second – 99 hours, 59 minutes	
Capacity	1 Thermal block	
Working Environment	5 °C – 35 °C, 80% Relative Humidity, non-condensing	
Display	10.9 cm color touchscreen LCD	
Drive System	Brushless DC Motor	
Overall Dimensions (L x W x H)	269 x 262 x 137 mm	
Net Weight	4.9 kg	
Power	230V, 0.9A, 50/60Hz	
Power Consumption	210 W	

Other Standard Features and Equipment

Unit supplied with block for 24 x 1.5 mL tubes, removable rack and cover. Detachable 3-wire cord and plug (included).

Additional features: hot top indicator, audible alarm, maximum temperature limiting function, temperature priority function, pulse/quick mix mode, temperature calibration mode, temperature ramp rate function

Compliance

- **Product Safety:** EN 61010-1, EN 61010-2-010, EN 61010-2-051
- **Electromagnetic Compatibility:** EN 61326-1 Class A, Industrial Environments
- **Compliance Marks:** CE, RCM; TÜV SÜD

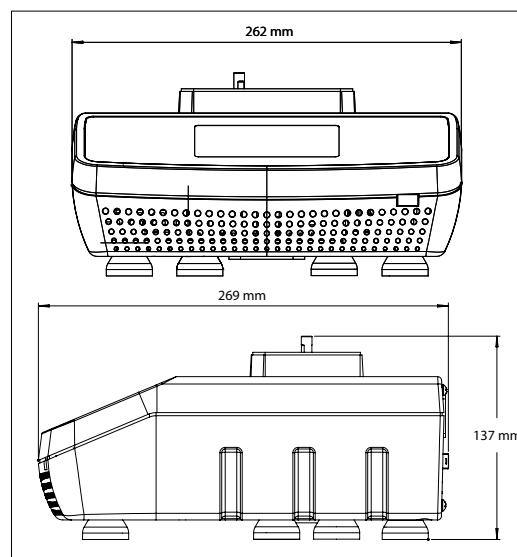
Applications

DNA, RNA, cell cultures, hybridizations, protein studies

Accessories

Item No.	Description
30400126	Microplate Thermal Block
30400127	384 Well PCR Plate Thermal Block
30400128	0.2 mL PCR Plate/Tube Thermal Block
30400129	Block For 30 x 0.5 mL Tubes
30400130	Block For 24 x 1.5 mL Tubes
30400131	Block For 24 x 2.0 mL Tubes
30400132	Block For 24 x 5-7 mL Tubes (12 mm)
30400133	Block For 24 x 2.0 mL Cryotubes
30400134	Block For 9 x 5 mL Eppendorf Tubes
30400135	Block For 8 x 15 mL Conical Tubes
30400136	Block For 4 x 50 mL Conical Tubes
30400250	Rack For 30 x 0.5 mL Tube Block
30400251	Rack For 24 x 1.5 / 24 x 2.0 mL Tube Blocks
30400252	Cover For 0.5 mL / 1.5 mL / 2.0 mL Tube Blocks

Dimensions



24 Norman Way Industrial Estate, Over, Cambridge, CB24 5WE
Tel: +44(0)1954 233 100 Fax: +44(0)1954 233 101
Email: sales@camlab.co.uk Web: www.camlab.co.uk

