



# Rotary Evaporator RC 600

## Technical features

- Central control unit for all functions
- Fast and easy change of the flask
- Automatic lift up of the flask in case of power outage
- Operating display of heating bath

## Technical data

### Material for parts contacting the media

Glass parts	Borosilicate glass
Vapor tube seal	PTFE-compound
Refilling valve's fitting	PP
Fitting seal	Silicone
Plugs seal	PTFE-coated

### Coolant line material

Fitting on condenser	PP
Fitting seal	Silicone

### Vacuum line material

Fitting on condenser	PP
----------------------	----

### Electrical parameters

Nominal voltage [V]	100 – 127 200 – 240
Frequency [Hz]	50 – 60
Heating output [W]	1300
Max. watt consumption [W]	1500
Maximum operating current [A]	
100 – 127 V	13
200 – 240 V	6.5
Protection class	IP20

### Heating bath

Heating bath temperature [°C]	20 – 180
-------------------------------	----------

### Coolant supply parameters (chilled condenser)

Permissible pressure [bar]	3
Permissible temperature	-15 °C to +20 °C
Coolant-coated surface [cm <sup>2</sup> ]	1230

### Parameters of evaporation flask

Size of evaporation flask	50 – 3000 ml
Rotational speed of evaporation flask [1/min]	25 – 250
Length of stroke [mm]	150
Lifting speed [mm/s]	38

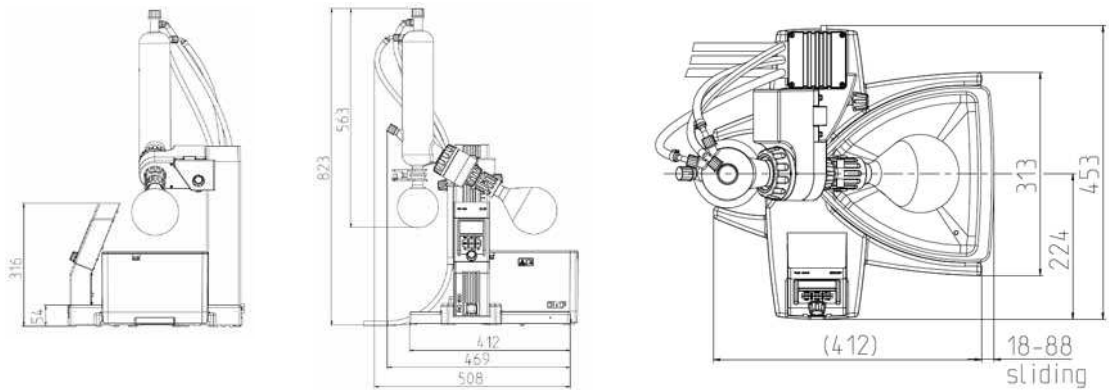
### Other data

Total weight [kg]	9.1
Dimensions W x D x H [mm]:	
- without glass [footprint]	431 x 453 x 464
- with glass	487 x 453 x 823
Vacuum and refill connections	GL14
Maximum altitude of installation [m above sea level]	2000
USB connection	USB Type B

### Control unit

Type of display	LCD black/white
Indicated parameters	Rotation speed, temperature, lift

## Dimensions

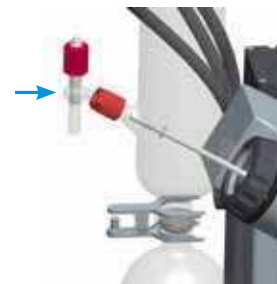


## Accessories

Description	ID
Protective cover for heating bath	127204
Refill valve	300639
Vacuum seal	113046



Protective cover for heating bath



Refill valve