



Rotary Evaporator RC 900

Technical features

- Central remote control for all functions
- Fast and easy change of the flask
- Automatic lift up of the flask in case of power outage
- Operating display of heating bath

Technical data

Material for parts contacting the media

Glass parts	Borosilicate glass
Vapor tube seal	PTFE compound
Refilling valve's fitting	PP
Fitting seal	Silicone
Plugs seal	PTFE-coated

Coolant line material

Fittings on condenser	PP
Fitting seal	Silicone
Connections on tower	brass/galvanized
Internal connections	Norprene®, PA, stainless steel
Tubing	Norprene®

Vacuum line material

Fitting on condenser	PP
Connections on tower	PVDF, stainless steel
Inner connections	PTFE, PVDF, stainless steel
Tubing	Norprene®

Electrical parameters

Nominal voltage [V]	100 – 127 200 – 240
Frequency [Hz]	50 – 60
Heating output [W]	1300
Max. watt consumption [W]	1500
Maximum operating current [A]	
100 – 127 V	13
200 – 240 V	6.5
Protection class	IP20

Heating bath

Heating bath temperature [°C]	20 – 180
-------------------------------	----------

Coolant supply parameters (chilled condenser)

Permissible pressure [bar]	3
Permissible temperature	-15 °C to +20 °C
Coolant-coated surface [cm ²]	1230

Parameters of evaporation flask

Size of evaporation flask	50 – 3000 ml
Rotational speed of evaporation flask [1/min]	25 – 250
Length of stroke (mm)	150
Lifting speed [mm/s]	38

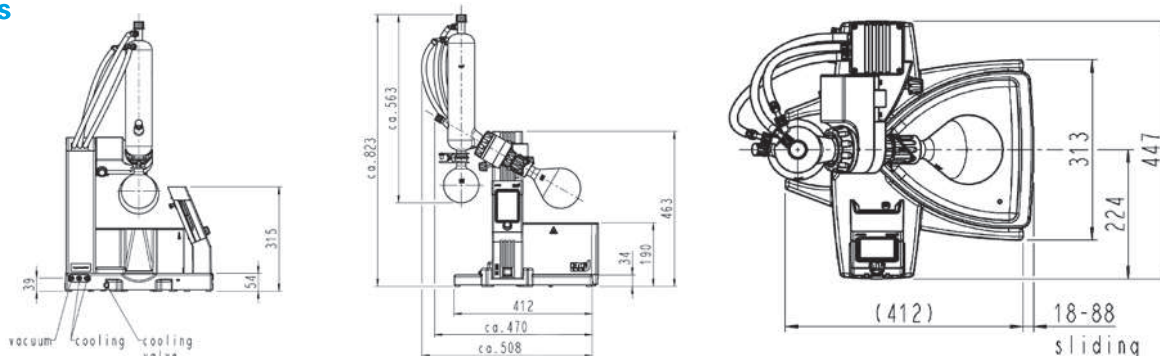
Other data

Total weight [kg]	9.1
Dimensions W x D x H [mm]:	
- without glass (footprint)	431 x 447 x 464
- with glass	487 x 447 x 823
Vacuum, coolant, and refill connections	GL14
Maximum altitude of installation [m above sea level]	2000

Remote control unit

Wireless range	approx. 50 m without obstacles
Power supply	Through integrated batteries or included power supply
Batteries	4 x AA 1.2 V 2300 mAh; quick-charge
Battery service life	Up to 12 hours
Charging time	About 7 hours

Dimensions

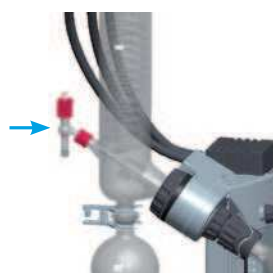


Accessories

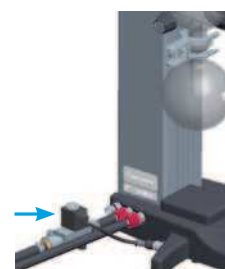
Description	ID
Protective cover for heating bath	127204
Refill valve	300639
Coolant valve	300853



Protective cover for heating bath



Refill valve



Coolant valve

Description		ID
Collection flask (implosion protected)	100 ml	300557
	250 ml	300558
	500 ml	128158
	1000 ml	113939
	2000 ml	113938
Evaporation flask NS29/32	50 ml	113079
	100 ml	113080
	250 ml	113081
	500 ml	113082
	1000 ml	128159
	2000 ml	113083
	3000 ml	113084
Evaporation flask NS24/40	50 ml	300561
	100 ml	300562
	250 ml	300563
	500 ml	300564
	1000 ml	128893
	2000 ml	300565
	3000 ml	300566
Powder flask NS29/32	500 ml	300588
	1000 ml	300589
	2000 ml	300590

Powder flask NS24/40	500 ml	300591
	1000 ml	300592
	2000 ml	300593
Foam brake NS29/32		301114
Foam brake NS24/40		301115
Vacuum seal		113046

Combination possibilities

Vacuum pump system SC 920 and chiller C 900

