



## Vacuum Pump System, the new Generation



### SH 950 Vacuum Pump System

manual adjustable,  
speed regulated

#### Features:

- Quiet operation
- integrated gas ballast valve
- Controlled solvent recovery with high-performance condenser (pressure side)
- Straightforward connection to the electrical network (automatic mains power adjustment) and pneumatic system
- Environmentally friendly
- Low maintenance-free
- Capturing of particles in the system (suction side)
- Rotary knob for straightforward adjustment

#### Precise vacuum

These days, it is hard to imagine modern laboratories without controller-operated vacuum pump systems. They deliver precise vacuum and offer widely diverse control functions for a huge range of applications in the laboratory.

#### Gentle distillation

The SH 950 vacuum pump system enables reliable manual control over the process in the rotary evaporator. A closed system permits gentle distillation and high rates of recovery even with low-boiling solvents.

#### Perfectly matched components

This vacuum pump system SH 950 opens up a whole new range of options in the laboratory. This is due to new functions and technical solutions. Thanks to the coordinated development of the individual components it has been possible, for example, to adjust the sensitivity of the motor to suit the requirements of the control process.

#### Applications:

- Vacuum evaporation
- Vacuum desiccation
- Vacuum gel drying
- Vacuum filtration

#### Fast process times

Besides intelligent control, the diaphragm vacuum pump used in the SH 950 further contributes to short process times. The pump is fitted with the patented KNF diaphragm system that ensures high suction speeds even at low pressures. Werkstoffen gefertigt.

#### Technical data:

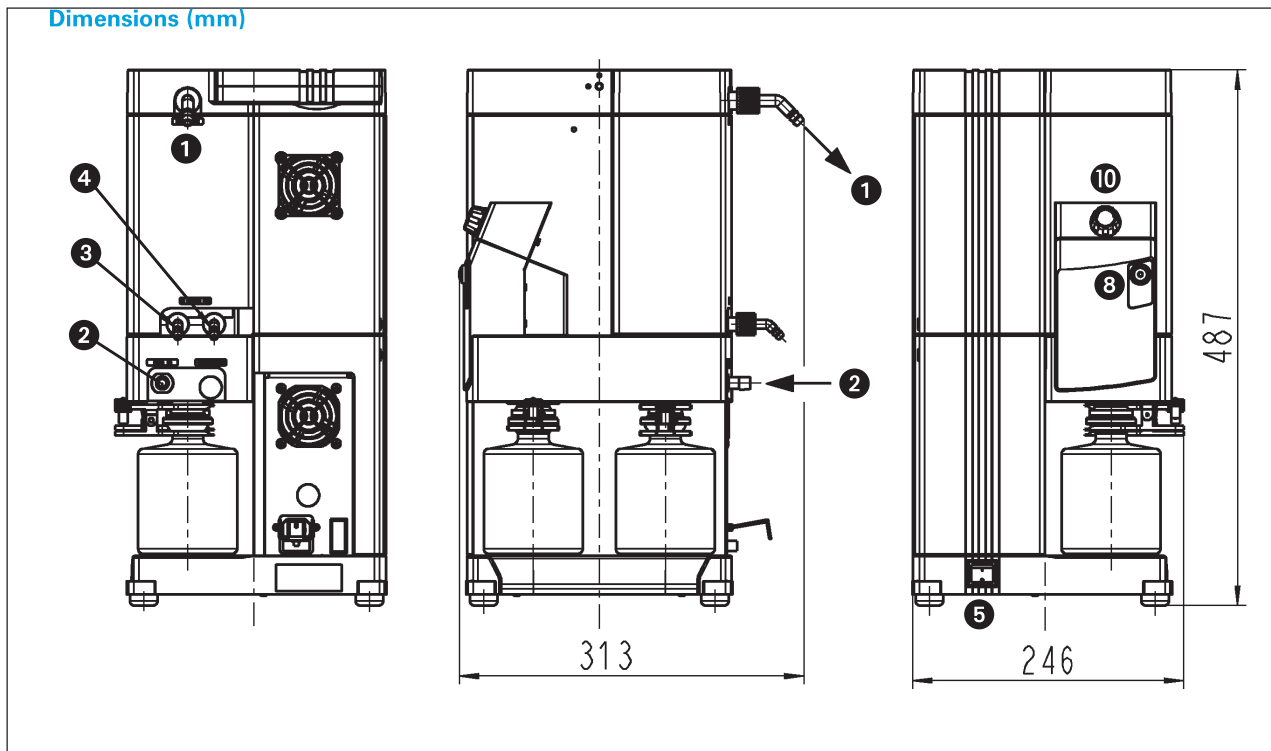
Delivery (l/min) <sup>1)</sup> :	50
Ultimate vacuum (mbar abs.):	2
Control:	over pressure-rotary knob
Mains connection:	100 - 240 V, 50 - 60 Hz
Power consumption:	max. 150 W
Hose connections, pneumatic:	ID 10
Hose connections for coolants:	ID 8
Current consumption:	max. 1,7 A
Weight:	13 kg
Dimensions (mm) H x W x D:	487 x 246 x 313
With overcurrent protection and mains fuse	

<sup>1)</sup> at atm. pressure



## Vacuum Pump System, the new Generation

Dimensions (mm)



### Accessory

Order No.	Description	Details
117121	Coolant valve	G 1/2, ID 8



#### Legende:

- 1 Gas outlet
- 2 Connection to vacuum chamber
- 3 Coolant inlet
- 4 Coolant outlet
- 5 Mains switch
- 6 Mains connection
- 7 Separator
- 8 Gas ballast on/off
- 9 Carry handle
- 10 Rotary knob