

Flow cell for continuous pH and ORP/Redox measurements in high purity water

Flow cell QV-Flow IS1000

Flow cell for two sensors with built-in Pt1000 temperature probe, manual flow adjustment valve and digital sample flow meter.

Technical data

Flow cell and sample beaker made of stainless steel SS316L.

Sample beaker with bayonet coupling for easy sensor access and calibration.

Sensor connections: 2 x PG13.5 thread
(1 blind plug included in delivery)

Suitable Swansensors:
pH Standard, pH SI, pH FL + Reference FL
or ORP/Redox versions alternatively.

Process connections

- Inlet: Swagelok adapter for 1/4" tube
- Outlet: Serto 90°-angle for Ø 8x6 mm tube
(tube 1.5 m included in delivery)

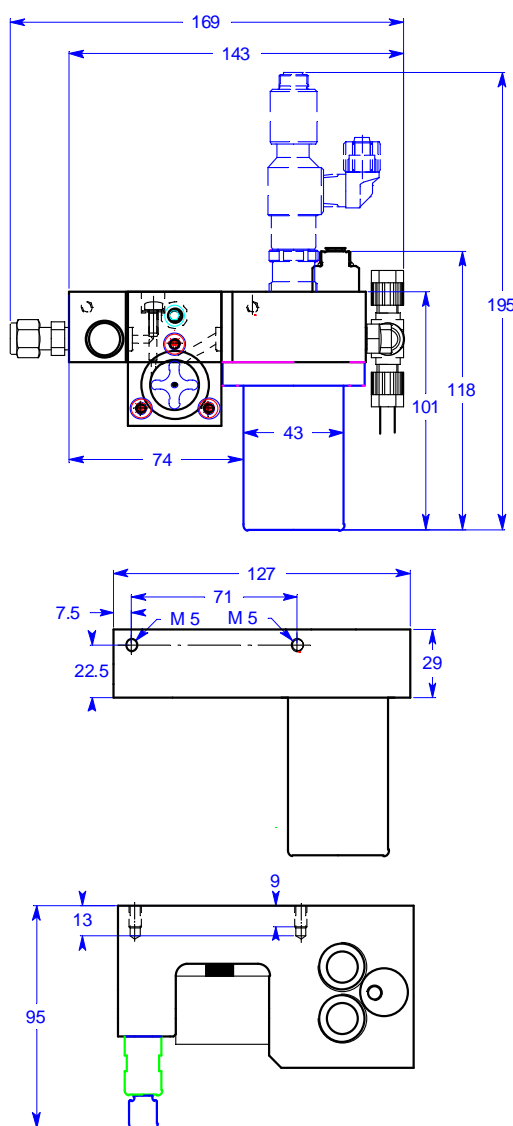
Electrical connections

- Pt1000 probe: screw head
- Flow meter: cable with end sleeves
- Suitable transmitters: AMI pH-Redox
AMU pH-Redox

Mounting: 2 screws M5 x 10 mm
(included in delivery)

Sample conditions

- Flow: 5 to 10 L/h
- Temperature: up to 50 °C
- Inlet pressure: max. 2 bar at 50 °C
- Outlet pressure: must be pressure-free
- Tube length at outlet: max. 1.5 m



The shown SI-sensor is not included in the delivery.

Order scheme	Flow cell QV-Flow IS1000	A – 83 . 411 . 11	X
Flow sensor cable length:	Cable 1 m		1
	Cable 5 m		5
	Cable 15 m		7

Delivery with flow cell includes one blind plug PG13.5, outlet tube 1.5 m and mounting screws.