

Bushing for the mounting in tubes

**T-fit PG13.5 - R3/4**

Bushing for the mounting in tubes for one sensor with PG13.5 thread. A sensor adapter for sensors without thread is available at Swan.

Made of chemically and mechanically resistant PVDF.

Applicable with PAM LF400 or FAM Unicon 4, or PAM/FAM pH/Redox<sup>o</sup>C.

**Technical data:**

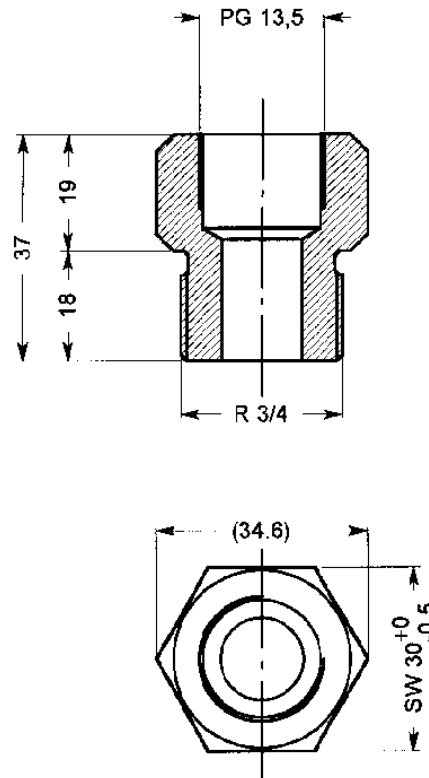
Bushing made of PVDF

1 insert for one sensor with PG13.5 thread.

Temperature: -10 .... 90 °C

Pressure: max. 6 bar at 25°C

Connection: 3/4" thread



**Delivery includes:**

T-fit PG13.5 - R3/4

<b>Order number</b>	<b>T-fit PG13.5 - R3/4</b>	<b>A-83.910.080</b>
---------------------	----------------------------	---------------------

**For sensors without PG13.5 thread (Swansensor RC4) a sensor adapter is needed:**

**A83.910.020** **Sensor adapter** for 12 mm sensors, PG13.5 outside thread

