

Sensor for the amperometric determination of disinfectant in water

**AMDES chlorine sensor**

Self-cleaning chlorine sensor with BNC connector.

For use with AMDES flow cell and measuring transmitter PAM Cl2 or Combimat AM/PoolMax AM.

Measuring range 0.00 to 10.00 mg/l free chlorine.

**Technical data:**

Self-cleaning copper/platinum chlorine sensor with automatic temperature compensation.

Measuring of free chlorine.

Connection: BNC connector

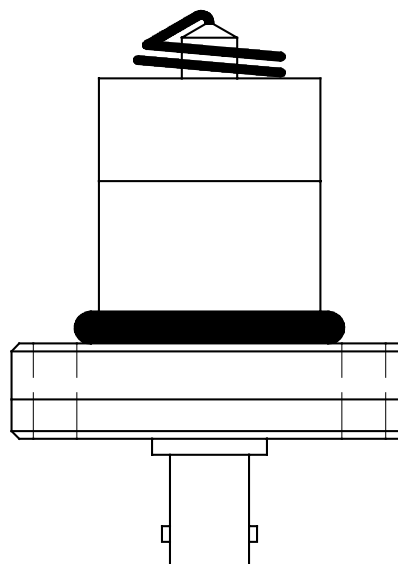
Measuring range: 0,00 - 10,00 mg/l free chlorine

Temperature: 50 °C max.

Weight: 120 g

**Delivery includes:**

Chlorine sensor with BNC connector, glass pearls and mounting accessories.



<b>Order number</b>	<b>AMDES chlorine sensor</b>	<b>A-87.440.010</b>
---------------------	------------------------------	---------------------