

pH sensor for the measurement of pH in high purity water

Swansensor pH FL

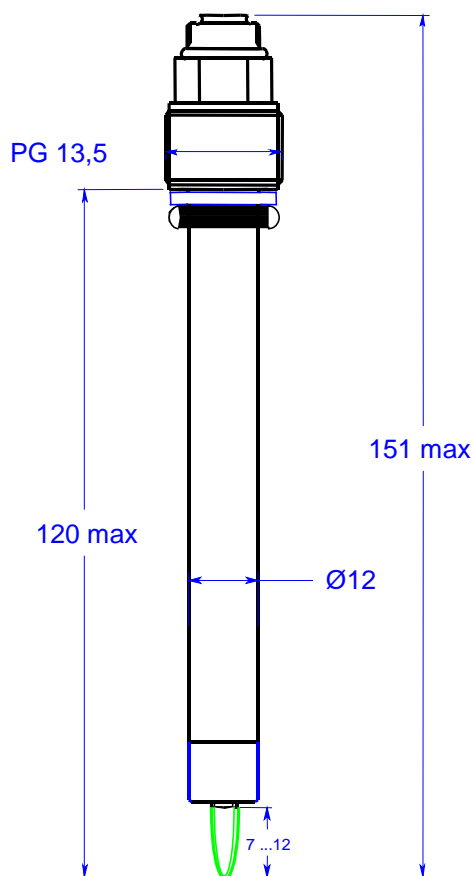
pH electrode in mechanically and chemically inert plastic case (IP68).

Only in combination with Swansensor Reference FL.

Sensor for the measuring transmitter FAM pH.

Technical data:

Operative and measuring range:	1 - 12 pH
Reference electrode:	Reference FL
Operating temperature:	0 50 °C
Pressure:	pressure-free
Min. conductivity:	0.055 µS/cm
Flow speed:	5 to 10 l/h
Case material:	PETP
Connection:	plug PG 13,5
Weight:	40 g



Order number	Swansensor pH FL	A-87.150.200
---------------------	-------------------------	---------------------