

Electrodes for waste water technology

Swansensor pH and Redox AY

Application in waste water due to additional salt supplies.

Maintenance-free pH resp. ORP/redox electrode in mechanically and chemically inert plastic case (IP 68) with excellent life time.

Poisoning protected Ag/AgCl-reference system.

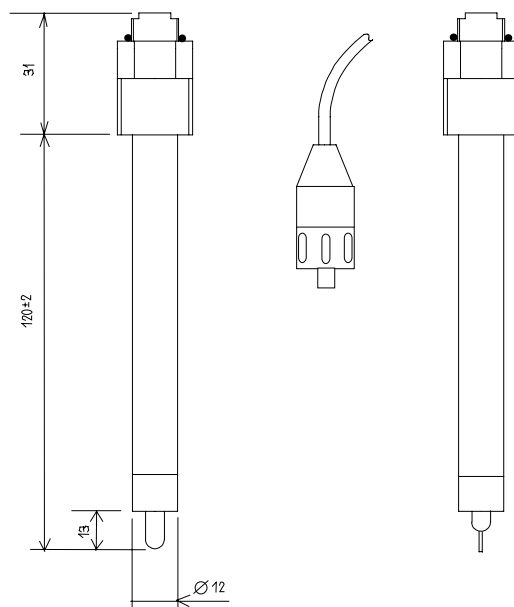
Clogging of the reference system by insoluble silver compounds is eliminated by a AgCl-free electrolyte.

Specifications pH:

Operative and measuring range: 1 - 13 pH
 Conductivity measuring medium: > 100 µS/cm
 Diaphragm: annular gap
 Reference system: Ag/AgCl
 Electrolyte: KCl-gel, 3.5 M (without AgCl)
 Operating temperature: 0 50 °C
 Pressure: < 2 bar
 Case material: isotactic polypropylene, PPO
 Connection: plug PG 13.5
 Weight: 40 g

Specifications ORP:

Electrode with platinum pin
 Measuring range ORP: - 400 to + 1200 mV
 Conductivity measuring medium: > 100 µS/cm
 Diaphragm: annular gap
 Reference system: Ag/AgCl
 Electrolyte: KCl-gel, 3.5 M (without AgCl)
 Operating temperature : 0 50 °C
 Pressure: < 2 bar
 Case material: isotactic polypropylene, PPO
 Connection: plug PG 13.5
 Weight: 40 g



Order scheme	Swansensor pH/Redox AY	A-87.		30.200
Parameter:	pH		↑	1
	ORP/redox _____			4