

Standard electrodes for water technology

Swansensor pH and Redox

Application in drinking water and swimming pools.

Maintenance-free pH resp. ORP/redox electrode in mechanically and chemically inert plastic case (IP 68) with excellent life time.

Poisoning protected Ag/AgCl-reference system.

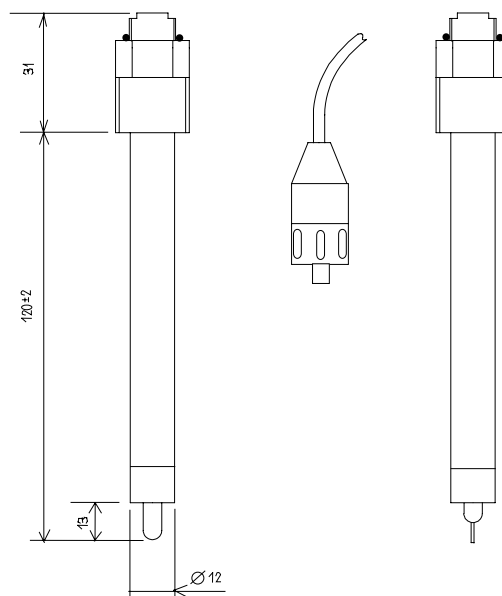
Clogging of the reference system by insoluble silver compounds is eliminated by a AgCl-free electrolyte.

Specifications pH:

Operative and measuring range: 1 ... 13 pH
Diaphragm: annular gap
Reference system: Ag/AgCl
Electrolyte: KCl-gel, 3.5 M (without AgCl)
Operating temperature: 0 ... 50 °C
Pressure: < 2 bar
Conductivity measuring medium: > 150 µS/cm
Case material: isotactic polypropylene, PPO
Connection: plug PG 13.5
Weight: 40 g

Specifications ORP:

Electrode with platinum pin
Measuring range ORP: - 400 ... + 1200 mV
Diaphragm: annular gap
Reference system: Ag/AgCl
Electrolyte: KCl-gel, 3.5 M (without AgCl)
Operating temperature: 0 ... 50 °C
Pressure: < 2 bar
Conductivity measuring medium: > 150 µS/cm
Case material: isotactic polypropylene, PPO
Connection: plug PG 13.5
Weight: 40 g



Order scheme	Swansensor pH/Redox	A-87.		20.200
---------------------	----------------------------	--------------	--	---------------

Parameter:	pH	↑
	ORP/redox _____	4