

Sensor for the measurement of the specific conductivity and specific resistivity in high purity water

Swansensor RC UT

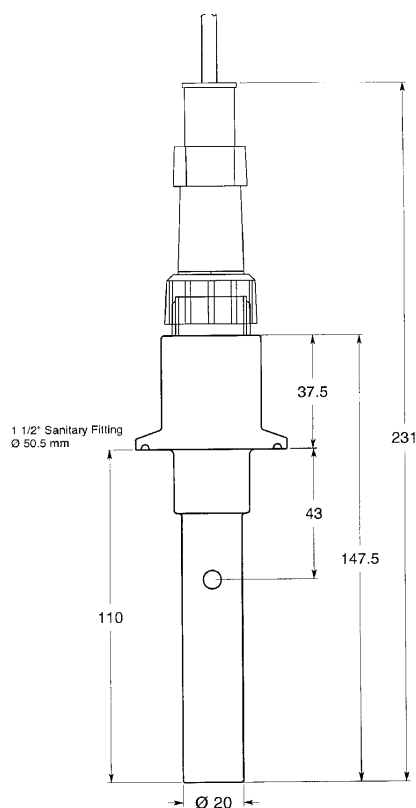
For high purity water applications in the pharmaceutical industry. With sanitary flange. Polished surface, no dead volume.

Sensor with certificate: The cell constant is defined with a precision of 5 digits after the decimal point. The temperature correction factor for the built-in NTC is determined with a thermometer, traceable to national standards (Swiss Calibration Service, 1997 SCS). Both values are written on the sensor and on the certificate.

Sensor with plug (IP67).

Specifications RC UT:

- Cell constant: 0.01 cm⁻¹
- Measuring range: 0,01 – 100 µS/cm
resp. 0,01 – 100 MΩ-cm
- Material:
 - shaft: SS 316L, stainless steel
 - electrode: SS 316L, stainless steel
 - isolation: PEEK
- Temperature sensor: NT5K
- Sensor mounting: sanitary flange 1 1/2"
- Operating temperature: -10 +90 °C
- Operating pressure: max. 10 bar at +90 °C
- Length totally: 231 mm
- Insertion length: 110 mm



Order scheme	Swansensor RC UT	A-87.323.20	
---------------------	-------------------------	--------------------	--

Certificate:	without certificate	↑
	with certificate (cell constant defined with a precision of 5 digits, temperature correction factor determined with thermometer, traceable to national standards)	0
		1

Accessories:

- A-88.165.520 Cable (Spec 44, PVDF) to RC UT, sleeves - female plug, 5 m
- A-88.165.720 Cable (Spec 44, PVDF) to RC UT, sleeves - female plug, 15 m
- C-87.329.010 Clamp for sanitary flange (max. 6 bar)
- C-87.329.012 Clamp for sanitary flange (max. 20 bar)
- C-87.329.011 Sealing made of PTFE for sanitary flange
- C-87.329.013 Sealing made of EPDM for sanitary flange
- C-87.329.014 Welding nipple to RC UT

