

Sensor for the measurement of redox (ORP) value in high purity water

Swansensor Redox FL

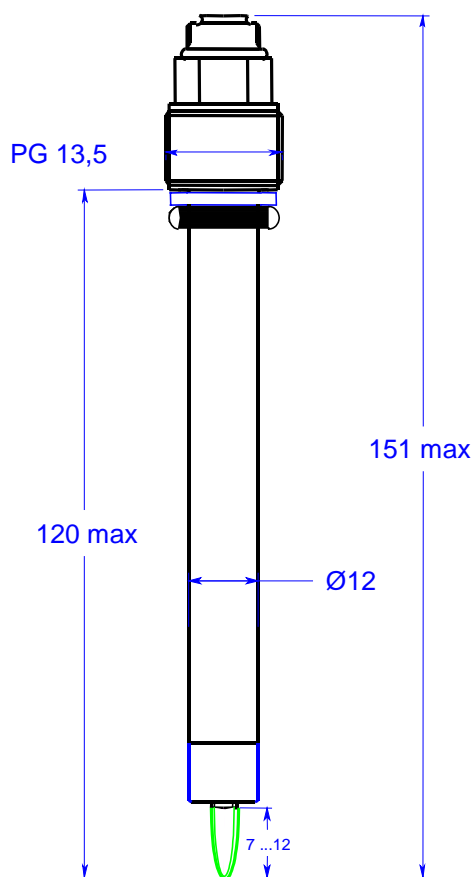
Redox (ORP) electrode in mechanically and chemically inert plastic case (IP68).

Only in combination with Swansensor Reference FL.

Sensor for the measuring transmitter FAM pH/ORP.

Technical data:

Operative and measuring range:	-500 to +1500 mV
Reference electrode:	Reference FL
Operating temperature:	0 50 °C
Pressure:	pressure-free
Min. conductivity:	0.055 µS/cm
Flow speed:	5 to 10 l/h
Case material:	PETP
Connection:	plug PG 13,5
Weight:	40 g



Order number

Swansensor Redox FL

A-87.411.200