

Reference electrode for Swansensor pH FL or Swansensor Redox FL

### Swansensor Reference FL

Electrode in mechanically and chemically inert plastic case (IP68).

Poisoning protected Ag/AgCl-reference system.

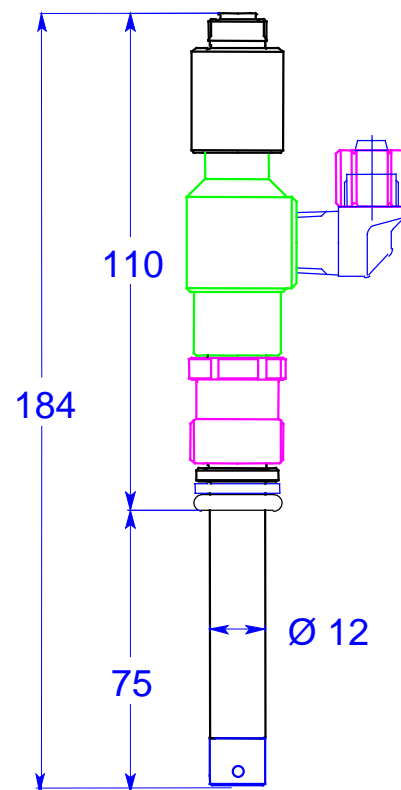
Clogging of the reference system by insoluble silver compounds is eliminated by a AgCl-free electrolyte.

Use only with Swansensor pH FL or Swansensor Redox FL.

Sensor for the measuring transmitter FAM pH.

#### Technical data :

Reference system:	Ag/AgCl
Electrolyte:	KCl-solution, 3,5 M (without AgCl)
Diaphragm:	annular gap
Operating temperature:	0 .... 50 °C
Pressure:	pressure-free
Min. conductivity:	0.055 $\mu$ S/cm
Flow speed:	5 to 10 l/h
Case material:	PETP
Connection:	plug PG 13,5
Weight:	40 g



Order number

Swansensor Reference FL

A-87.860.100