

Flow cell with flow adjustment valve for Swansensor Shurecon P.
Sample flow meter and sample pressure controller available as options.

Flow cell M-Flow PG

Flow cell made of PVC and acrylic glass with one PG 13.5 sensor screw connection and built-in needle valve for sample flow adjustment.

Removable transparent vessel allows easy sensor calibration and maintenance.

Optional manual sample inlet pressure controller for samples with pressure up to 10 bar.

Optional digital sample flow meter for connection to AMI transmitter.

Technical data

Sample connections

- Inlet and outlet: Serto PA for 6 mm tube

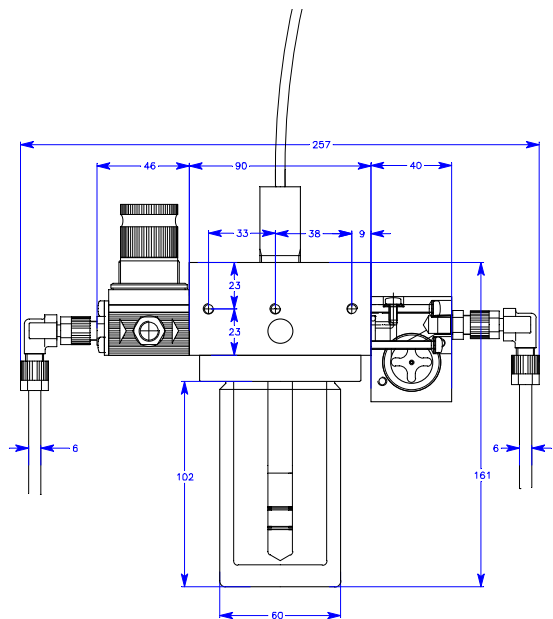
Sample conditions

(for the flow cell without sensor!)

- Flow rate: 4 to 15 l/h
- Temperature: up to 50 °C
- Inlet pressure @ 25 °C:
 - up to 1 bar without pressure controller
 - 0.5 to 10 bar with pressure controller
- Pressure-free outlet (atmospheric drain)
- Particle size: below 0.5 mm
- No strong acids and bases
- No organic solvents

Dimensions

- Width: 90 ... 257 mm
- Front-to-back: 138 mm
- Height: 161 mm
- Panel mounting: 3 screws M5



M-Flow PG with inlet pressure controller option (left), sample flow meter option (right) and with Shurecon P sensor (not included).

Delivery includes:

Flow cell M-Flow PG with needle valve and straight and 90° Serto connectors for in- and outlet. Set of mounting screws.

Order scheme	M-Flow PG	A - 83.437.	X	X	X
Pressure controller option	None	1	↑	↑	↑
	With sample inlet pressure controller	2			
Flow meter option	None	1			
	With digital sample flow meter	2			
Flow meter cable length	None				0
	Cable 1 m				1
	Cable 5 m				5
	Cable 15 m				7

Options: A-89.410.110 Mounting panel for flow cell made of PVC. Dimensions (w x h x d): 280x200x10 mm
A-83.910.020 Sensor mounting adapter for Ø 12 mm sensors in PG 13.5 thread