

Sodium- and reference electrode for the measurement of sodium in ultra pure water

Swansensor Sodium

Sodium electrode for trace analysis in ultra pure water, pH > 10.

Reference electrode with grounded glass sleeve

Calomel reference electrode with liquid electrolyte and easy to service grounded glass sleeve.

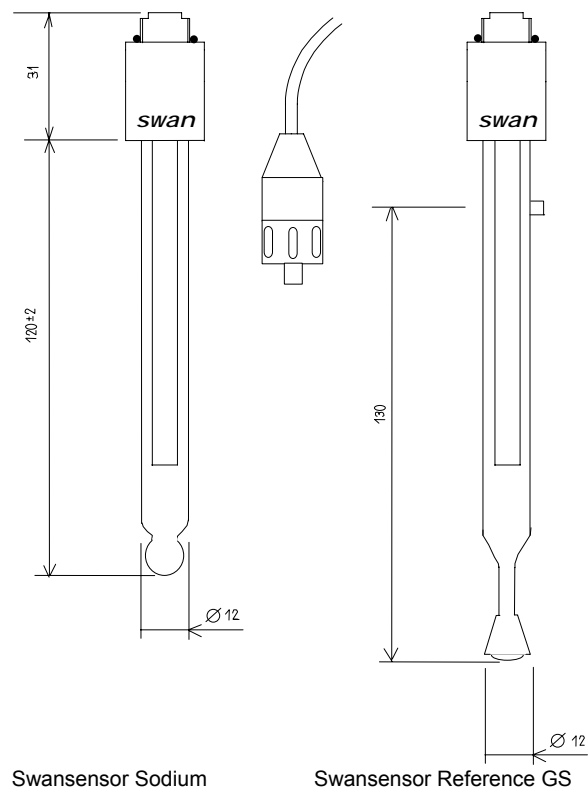
Technical data:

Swansensor Sodium

Measuring range with adequately conditioned sample: 0.01 ppb to 10 ppm Na
 Operating temperature: up to 50 °C
 Pressure: pressure-free
 Material: ion sensitive glass membrane, glass
 Connection: screw plug

Swansensor Reference GS

Diaphragm: grounded glass sleeve double junction
 Reference system: HgCl (Calomel)
 Electrolyte: KCl
 Operating temperature: up to 50 °C
 Pressure: pressure-free
 Material: glass
 Connection: screw plug



Order number	Description
--------------	-------------

A-87.720.010	Swansensor Sodium
A-87.840.100	Swansensor Reference GS, including 100 ml filling solution

Consumables	
A-87.892.400	Filling solution for reference electrode, 100 ml
A-87.729.010	Etching kit for sodium electrode
A-85.141.400	Sodium standard solution, 1000 ppm, 100 ml
A-83.910.010	Sensor mounting adapter Ø 12 mm / M20