

Flow cell with built-in cation exchanger for the measurement of the specific and acid (cationic) conductivity

Flow cell Catcon+

- Flow cell made of stainless steel SS316L for two sensors with 3/4" NPT thread, fitting length 40 mm.
- Needle valve for the adjustment of the sample flow.
- Built-in cation exchanger, resin in plastic bottle.
- Built-in measurement of the sample flow.

Process connection:

- Sample inlet: Swagelok connection for tube 1/4"
- Option: Back pressure controller
- Sample outlet: Pressure-free outlet (funnel with connection for flexible tube 15x20 mm)

Sample requirements:

- Sample flow: 5 to 20 l/h
- Sample pressure: 0.2 to 2 bar
Pressure-free outlet necessary.
- Temperature: max. 50 °C
- no sand, no oil

Mounting:

- Wall installation with mounting kit (included in delivery).

Cation exchanger:

- Cleaned resin (Nuclear Grade) ready for operation (included in delivery + empty replacement bottle).
- Resin sufficient at 1 mg/l ammonia (pH 9.4):
4 months operation at 10 l/h flow
5 months at 5 l/h.
- Change of resin by changing the plastic bottle where the resin is inside.

Additional function in combination with the transmitters series FAM and PAM:

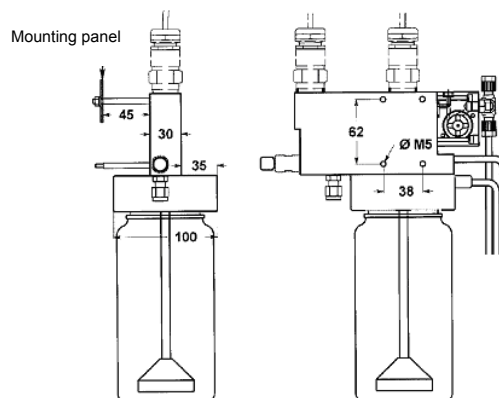
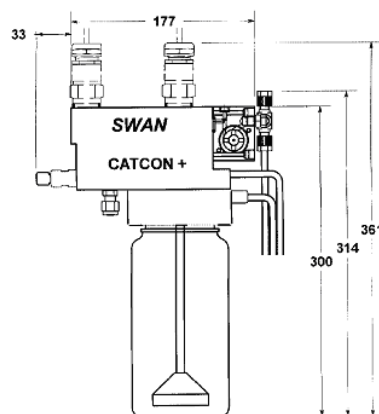
- Flow measurement (l/h) with alarm high/low
Measuring range: 0 to 25 l/h
- With 2-channel transmitter additionally:
Calculation of exhaustion of resin with alarm on the summary alarm contact.

Option:

- Built-in back pressure controller for constant sample flow.

Delivery includes:

- Flow cell with needle valve, flow measurement, and cation exchanger (bottle with ion exchanger and empty replacement bottle without ion exchanger)



(picture with 2 conductivity sensors)

Order scheme	Flow cell Catcon+	A-83.442.	0	
Process connection:	Standard		1	
	With back-pressure controller		5	
	With back-pressure controller and grab sampling point _____		6	
Flow sensor:	1 meter cable			1
	5 meter cable _____			5