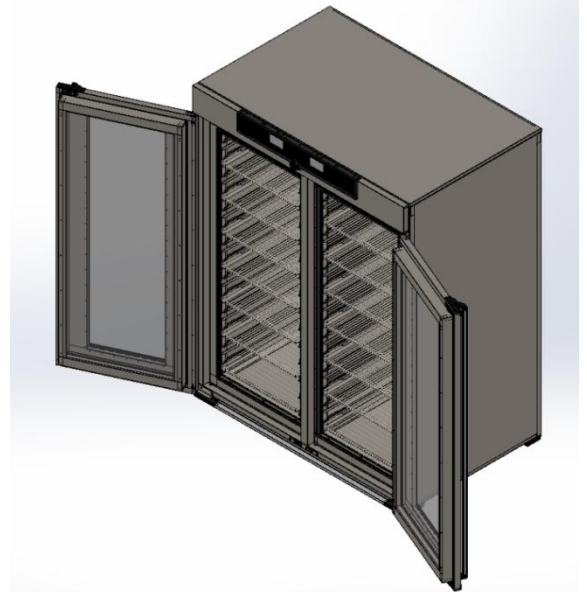




CONSTANT CLIMATE CHAMBER HPP1400

Interior volume: 1360 litres
Temperature: +15 °C to +60 °C
Humidity: 15 to 80 % rh
Forced air circulation

- Intuitively operated TwinDISPLAY with touchscreen
- Control and logging software AtmoCONTROL
- Energy-efficient Peltier technology
- Optimal distribution of temperature and humidity thanks to individual controllability of Peltier elements
- HeatBALANCE function for optimised temperature distribution in the chamber according to loading types and quantities



Standard equipment:

Interior:	Stainless steel, mat. 1.4301 (ASTM 304)
Housing:	Textured stainless steel, rear zinc-plated steel
Double doors:	Intuitively operated TwinDISPLAY (TFT colour display) with touchscreen Heated stainless steel outside doors (heated glass doors optional)
Connection:	Mains cable with plug (German type)
Installation:	Mounted on lockable castors
Interfaces:	Ethernet, USB

Stainless steel interior:

Volume:	1360 litres
Width:	1250 mm
Height:	1450 mm
Depth:	750 mm
Max. number of grids:	7 stainless steel grids per side (total: 14)
Size of grids:	518 mm x 695 mm (width x depth)
Usable surface with 14 grids:	5,04 m ³

Textured stainless steel exterior:

Width:	1435 mm
Height:	1968 mm (with castors)
Depth:	1005 mm (door handle + 53 mm)

Technical data:

Temperature uniformity in chamber:	+/- 0,7 K
Temperature variation in time:	+/- 0,3 K
Humidity uniformity in chamber:	+/- 3 % rh
Humidity variation in time:	+/- 1 % rh