



The guarantee of your protection will be only ensured after the erlab® laboratory approval. Please contact your supplier and benefit from the ESP® (Erlab Safety Program) for a validation of the safety parameters (type of column, filter lifetime, saturation detection method and replacement filter procedure...), linked to the use of this cabinet.

Technical specifications

Dimensions (inches)						
Ref.	External dimensions			Internal dimensions - without work surface		
	Width	Depth	Height*	Width	Depth	Height
XL 632	63"	37"	45 2/8" mini 52 5/8" maxi	61 1/2"	31 1/4"	35"

*According to filtration column type

Structure	
Metallic parts	Anti-corrosion metallic alloy protected by a thermo-hardened anti-acid polymer coating
Side and front panels	3/16" thick acrylic
Filtration module	Polypropylene

Specifications	
Number of columns	2
Number of fans (IP44)	2
Processed air flow	270 cfm
Air velocity at the openings in working position	79 fpm to 118 fpm
Voltage / Frequency	85-260 V / 50-60 Hz
Total power consumption	90 watts (without lighting)
Amperage absorbed	3,6 amp.
Sound level	55 dbA

Modular filtration column			
Class 2 - (NFX 15-211 : 2009 standard)		Class 1 - (NFX 15-211 : 2009 standard)	
Type IC Liquid chemicals handlings		Type 2C Liquid chemicals handlings	
Type IP IC Liquid chemicals and powders handlings		Type IP 2C Liquid chemicals and powders handlings	
Type IC IP Liquid chemicals and powders handlings in clean room		Type 2C IP Liquid chemicals and powders handlings in clean room	

Molecular filter H14 HEPA filter

Equipments

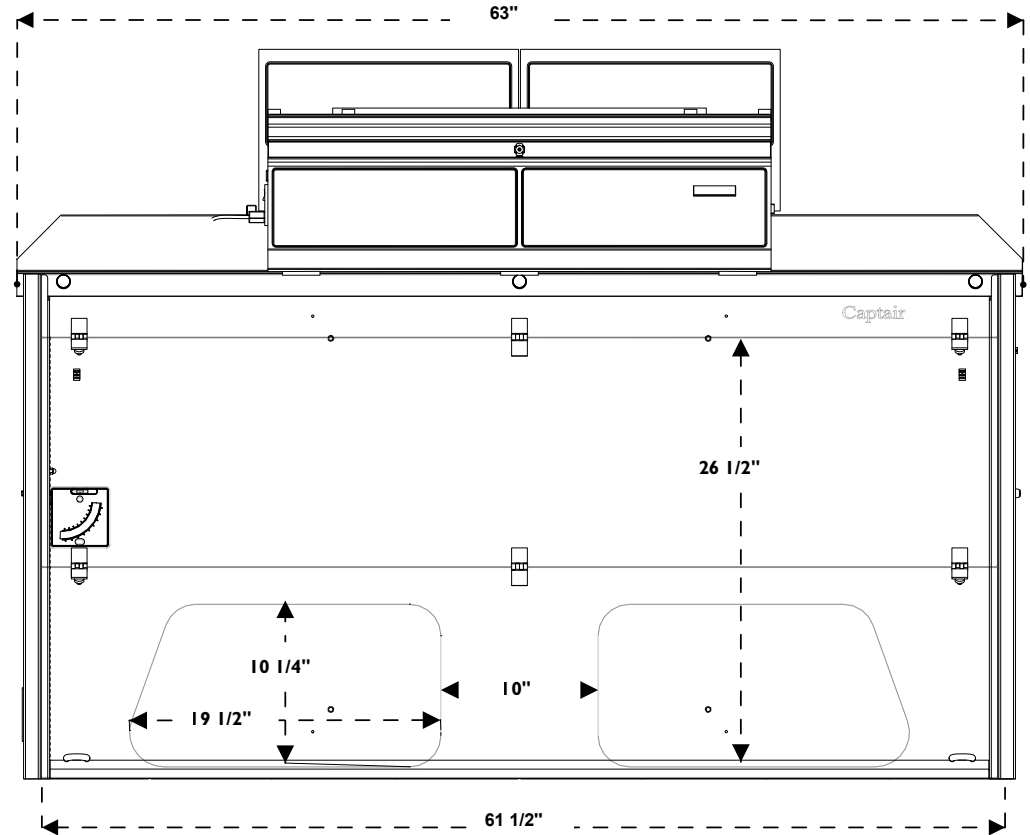
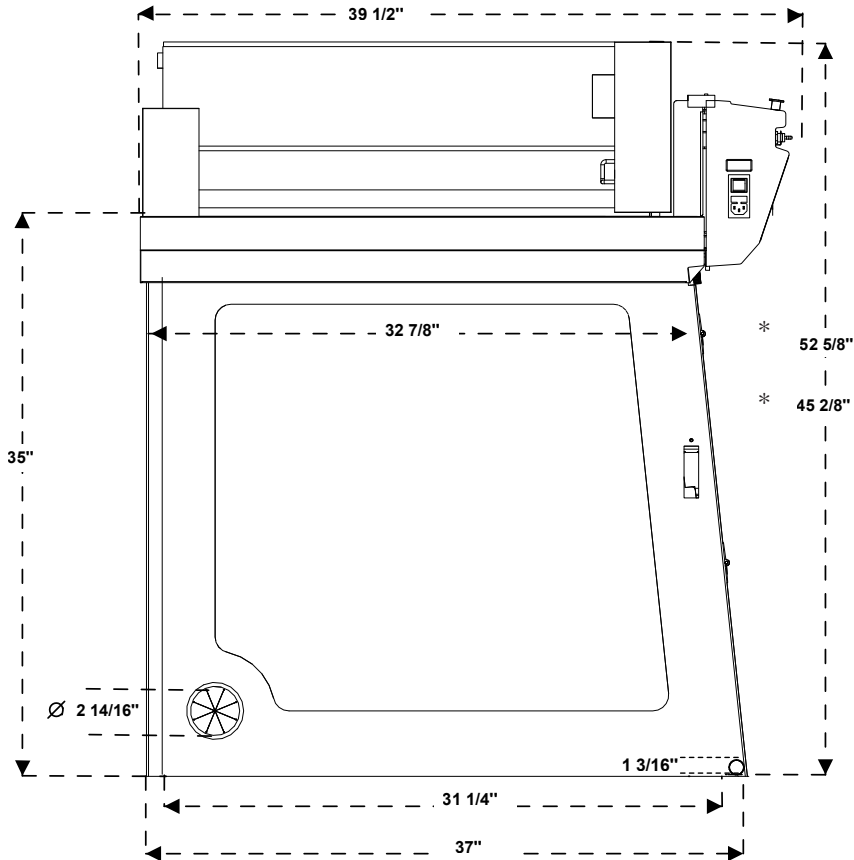
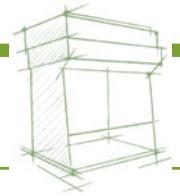
Standard Equipment		Options	
Air flow meter	Permanent air face velocity monitoring system	Molecode S*	Automatic alarm to detect filter saturation by solvents according to NF X 15 211 : 2009 standard (*compulsory for class 1 configuration)
Flow monitor	Permanent ventilation control device according to EN 14175-2:2003 standard	Work surface N°1	Metallic spill tray with tempered glass work surface
Sampling port	For filter saturation detection (N/A if Molecode S installed)	Work surface N°2	In phenolic resin with built-in retention tray
Programmable timer	Timer - 60 hours setting by default according to NFX 15 211 : 2009 standard	External lighting	Pivoting - 11 Watts - 400 Lux - IP 20
Energy ports	For the passage of cables	Internal lighting	Compact tubular fluorescent lighting - 18Watts - 500 Lux - IP 68
Chemical Listing	List of approved chemicals	Benchcap	Fixed work bench made of anti-corrosion metallic alloy
		Shelf	Adjustable sliding shelf for Benchcap
		Transparent back panel	Acrylic
		Access door on rear panel	For maintenance interventions

Types of filters available

GF4 AS	For organic vapours
GF4 BE +	For organic vapours + acid vapours
GF4 F	For formaldehyde vapours
GF4 K	For ammonia vapours
GF4 HP	H14 HEPA Filter for powders

Compliance to standards

- AFNOR NF X 15-211:2009 - France
- ANSI/ASHRAE 110-1995 - USA
- BS 7258 - England
- CSA Z316.5 - Canada
- CE Marking
- NF P92.507 (Acrylic part)
- EN 1822 : 1998 (H14 HEPA filter)

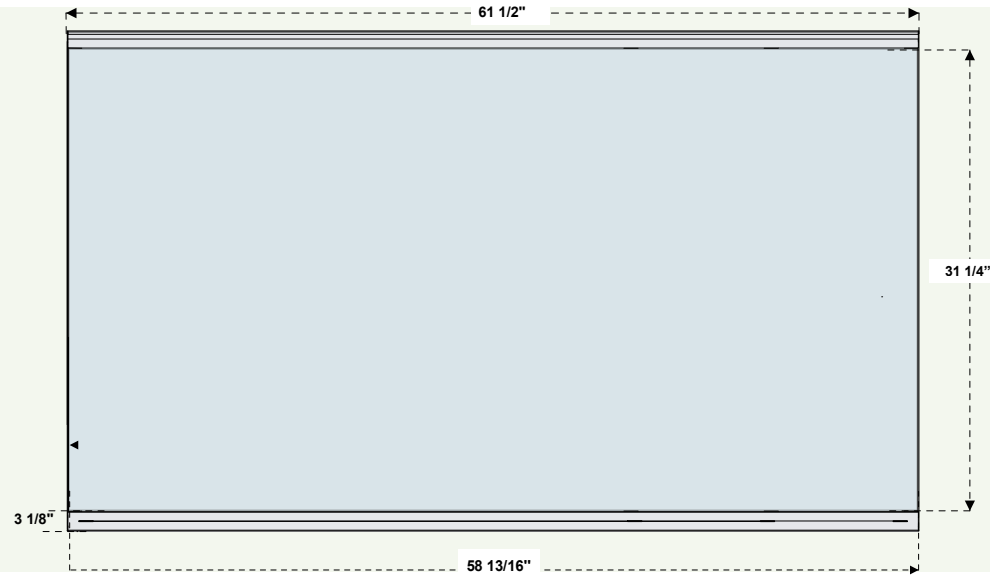


* Total height according to filtration column type (inches)

Type 1C	45 2/8"	Type 2C	49 5/16"
Type 1P 1C	48 3/8"	Type 1P 2C	52 5/8"
Type 1C 1P	48 3/8"	Type 2C 1P	52 5/8"



Work surface N°1



Work surface N°2





The guarantee of your protection will be only ensured after the erlab® laboratory approval. Please contact your supplier and benefit from the ESP® (Erlab Safety Program) for a validation of the safety parameters (type of column, filter lifetime, saturation detection method and replacement filter procedure...), linked to the use of this cabinet.

Technical specifications

Dimensions (inches)						
Ref.	External dimensions			Internal dimensions - without work surface		
	Width	Depth	Height*	Width	Depth	Height
XL 633	63"	37"	45 2/8" mini 52 5/8" maxi	61 1/2"	31 1/4"	35"

*According to filtration column type

Structure	
Metallic parts	Anti-corrosion metallic alloy protected by a thermo-hardened anti-acid polymer coating
Side and front panels	3/16" thick acrylic
Filtration module	Polypropylene

Specifications	
Number of columns	3
Number of fans (IP44)	3
Processed air flow	405 cfm
Air velocity at the openings in working position	79 fpm to 118 fpm
Voltage / Frequency	85-260 V / 50-60 Hz
Total power consumption	135 watts (without lighting)
Amperage absorbed	4,8 amp.
Sound level	58 dbA

Modular filtration column			
Class 2 - (NFX 15-211 : 2009 standard)		Class 1 - (NFX 15-211 : 2009 standard)	
Type IC Liquid chemicals handlings		Type 2C Liquid chemicals handlings	
Type IP IC Liquid chemicals and powders handlings		Type IP 2C Liquid chemicals and powders handlings	
Type IC IP Liquid chemicals and powders handlings in clean room		Type 2C IP Liquid chemicals and powders handlings in clean room	

Molecular filter H14 HEPA filter

Equipments

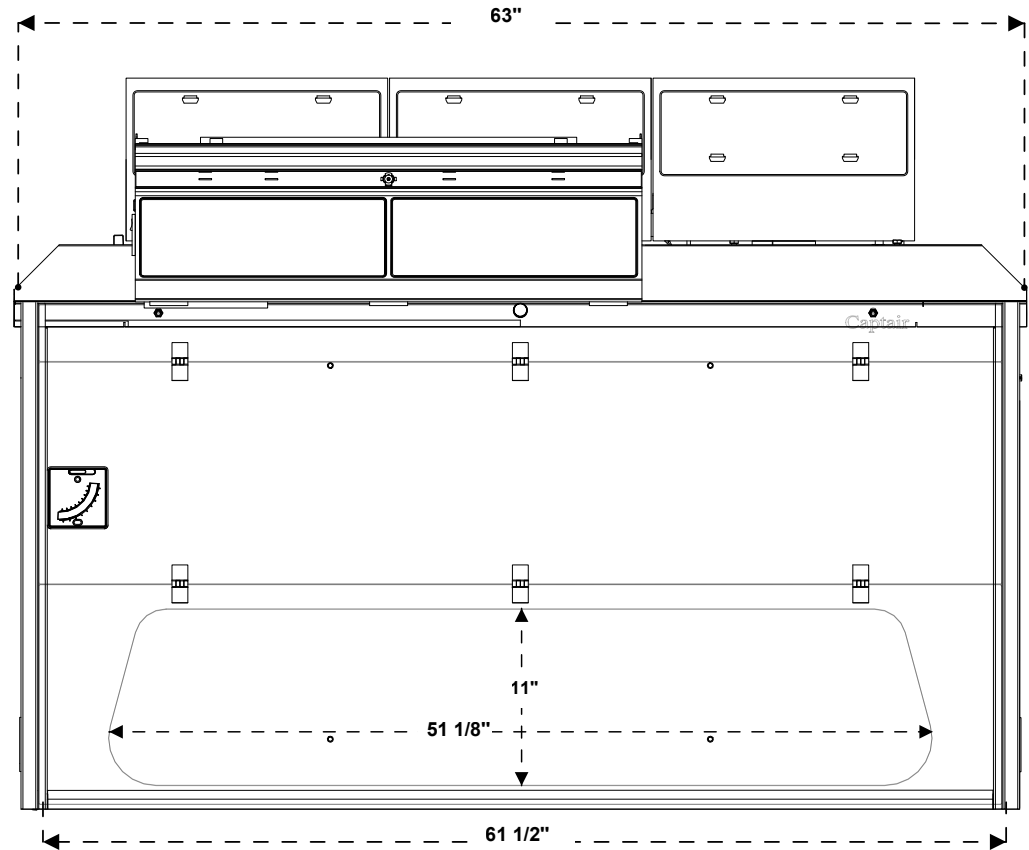
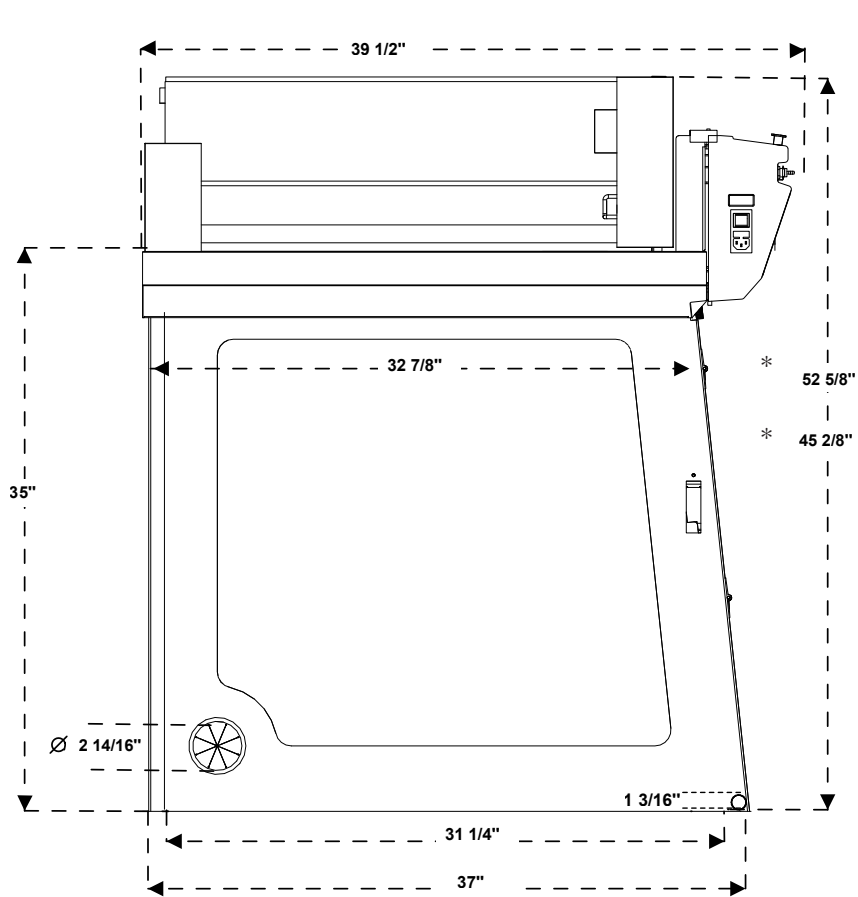
Standard Equipment		Options	
Air flow meter	Permanent air face velocity monitoring system	Molecode S*	Automatic alarm to detect filter saturation by solvents according to NF X 15 211 : 2009 standard (*compulsory for class 1 configuration)
Flow monitor	Permanent ventilation control device according to EN 14175-2:2003 standard	Work surface N°1	Metallic spill tray with tempered glass work surface
Sampling port	For filter saturation detection (N/A if Molecode S installed)	Work surface N°2	In phenolic resin with built-in retention tray
Programmable timer	Timer - 60 hours setting by default according to NFX 15 211 : 2009 standard	External lighting	Pivoting - 11 Watts - 400 Lux - IP 20
Energy ports	For the passage of cables	Internal lighting	Compact tubular fluorescent lighting - 18 Watts - 500 Lux - IP 68
Chemical Listing	List of approved chemicals	Benchcap	Fixed work bench made of anti-corrosion metallic alloy
		Shelf	Adjustable sliding shelf for Benchcap
		Transparent back panel	Acrylic
		Access door on rear panel	For maintenance interventions

Types of filters available

GF4 AS	For organic vapours
GF4 BE +	For organic vapours + acid vapours
GF4 F	For formaldehyde vapours
GF4 K	For ammonia vapours
GF4 HP	H14 HEPA Filter for powders

Compliance to standards

- AFNOR NF X 15-211:2009 - France
- ANSI/ASHRAE 110-1995 - USA
- BS 7258 - England
- CSA Z316.5 - Canada
- CE Marking
- NF P92.507 (Acrylic part)
- EN 1822 : 1998 (H14 HEPA filter)

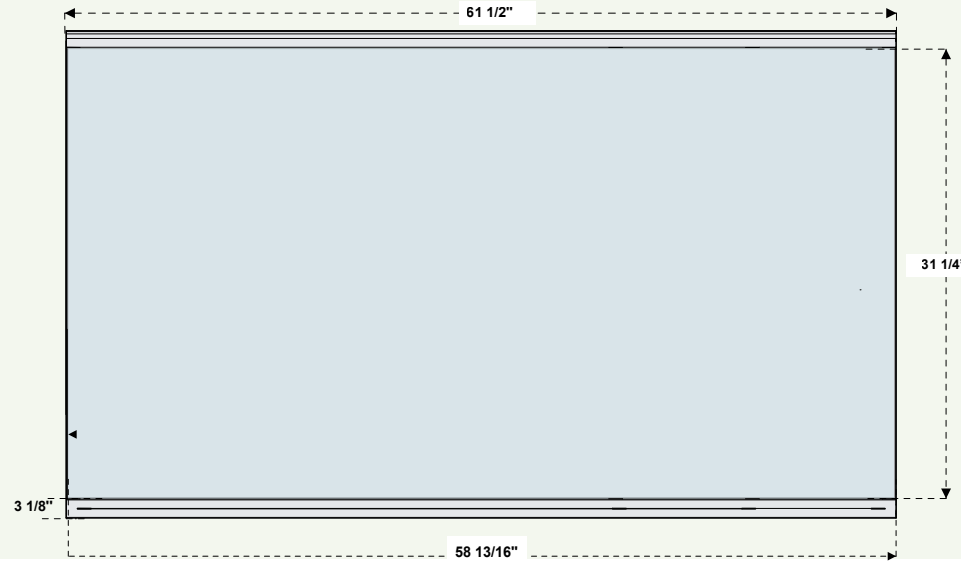


* Total height according to filtration column type (inches)

Type 1C	45 2/8"	Type 2C	49 5/16"
Type IP 1C	48 3/8"	Type IP 2C	52 5/8"
Type 1C IP	48 3/8"	Type 2C IP	52 5/8"



Work surface N°1



Work surface N°2

