



S MURRAY & CO

G813/06

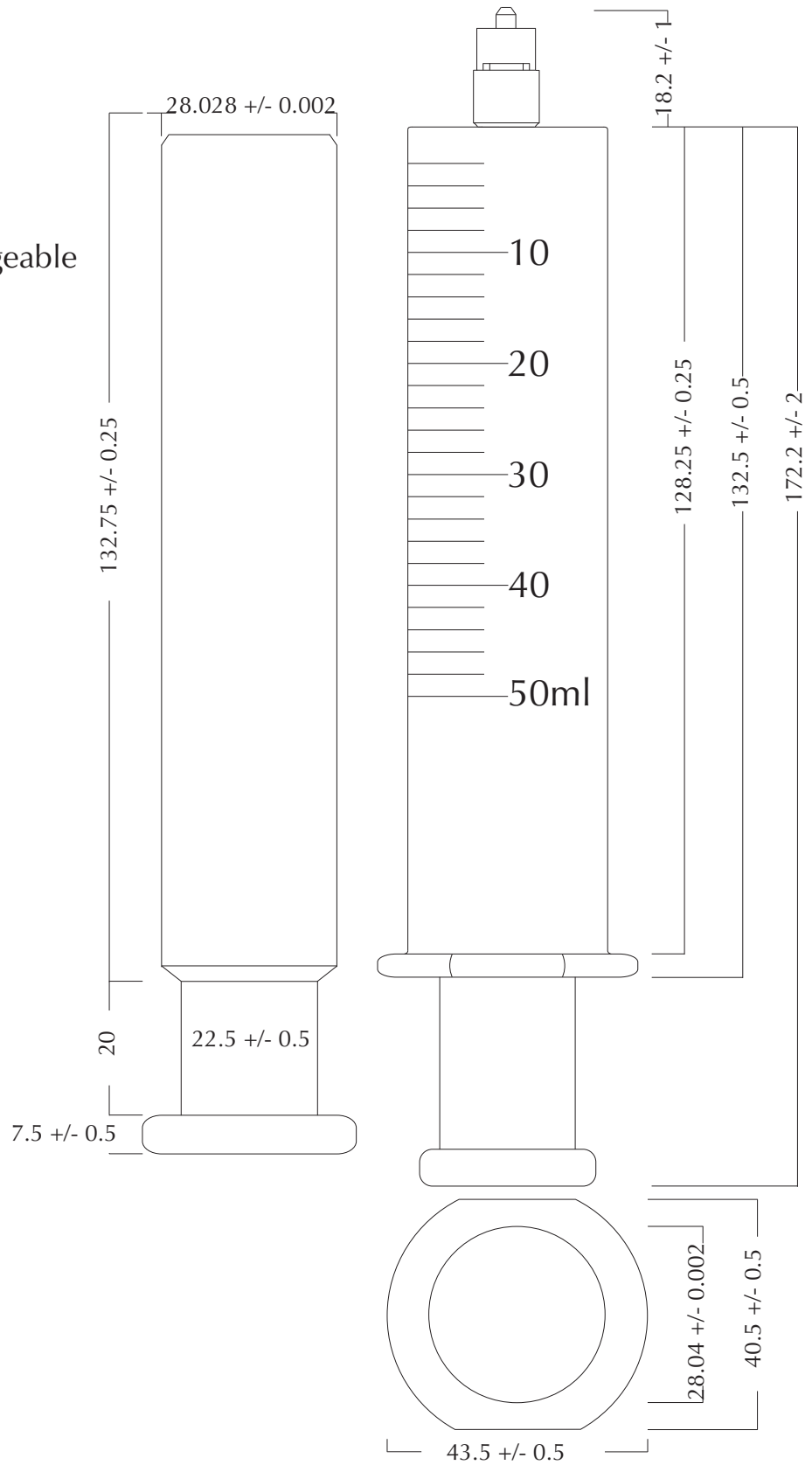
SAMCO Syringe

Glass with metal tip,
lock luer fitting & fully interchangeable

50ml Capacity

Material - Neutral Glass

Italian Origin



Measurements shown in mm



S MURRAY & CO

G813/05

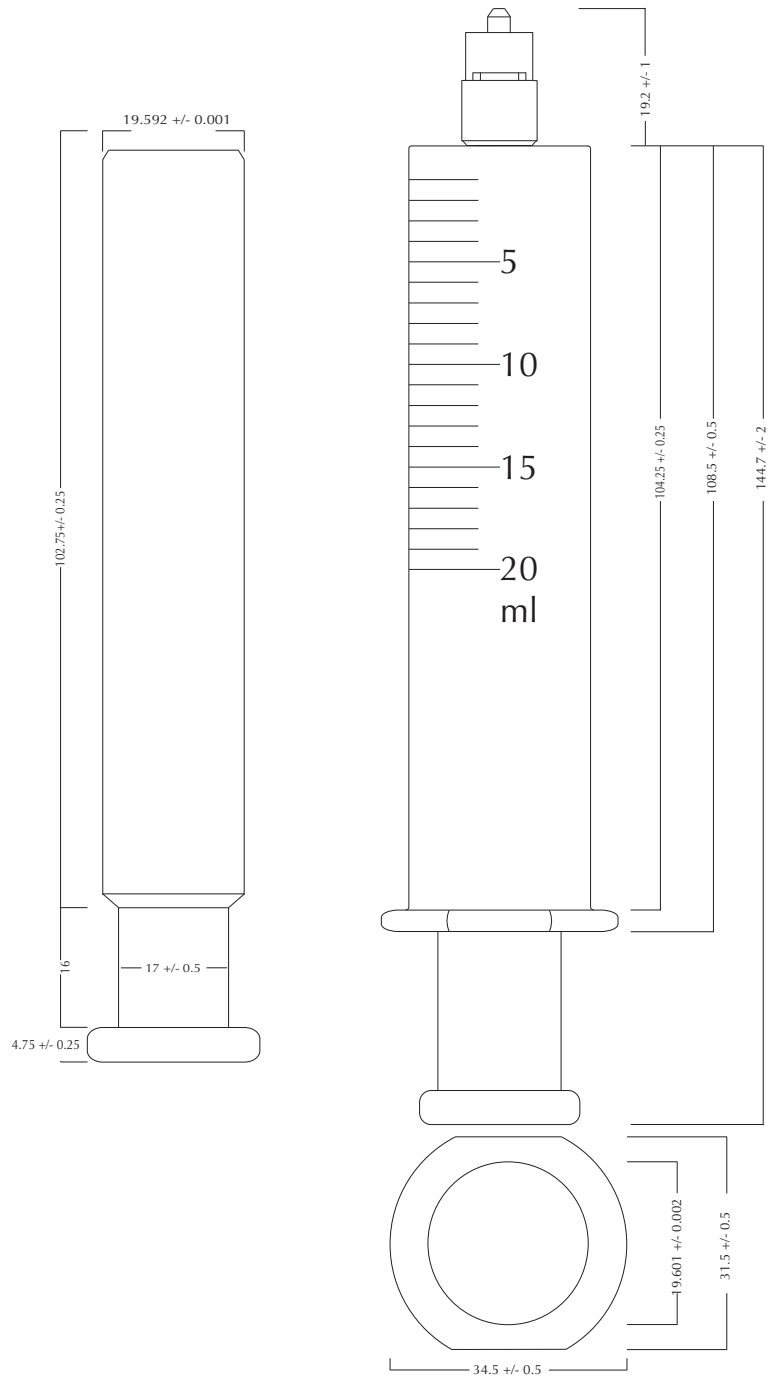
SAMCO Syringe

Glass with metal tip,
lock luer fitting & fully interchangeable

20ml Capacity

Material - Neutral Glass

Italian Origin





S MURRAY & CO

G813/04

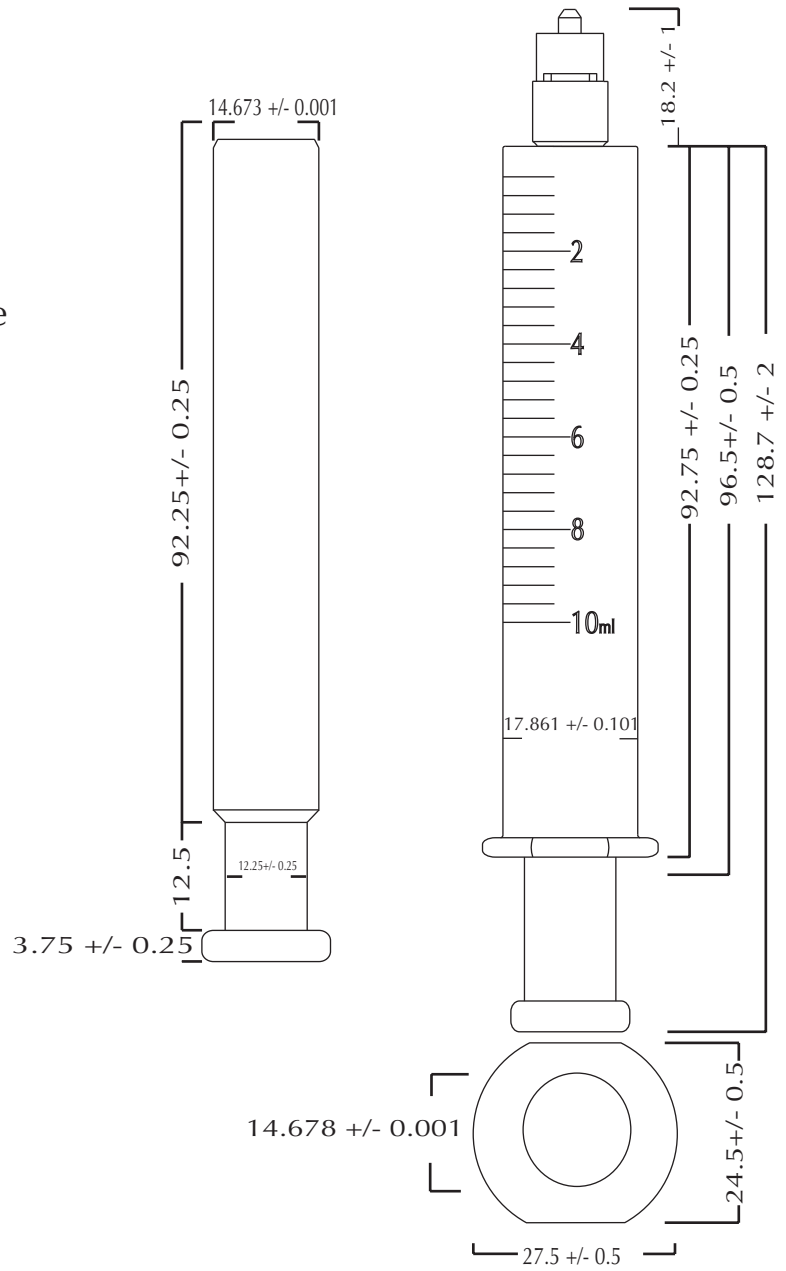
SAMCO Syringe

Glass with metal tip,
lock luer fitting & fully interchangeable

10ml Capacity

Material - Neutral Glass

Italian Origin





S MURRAY & CO

G813/03

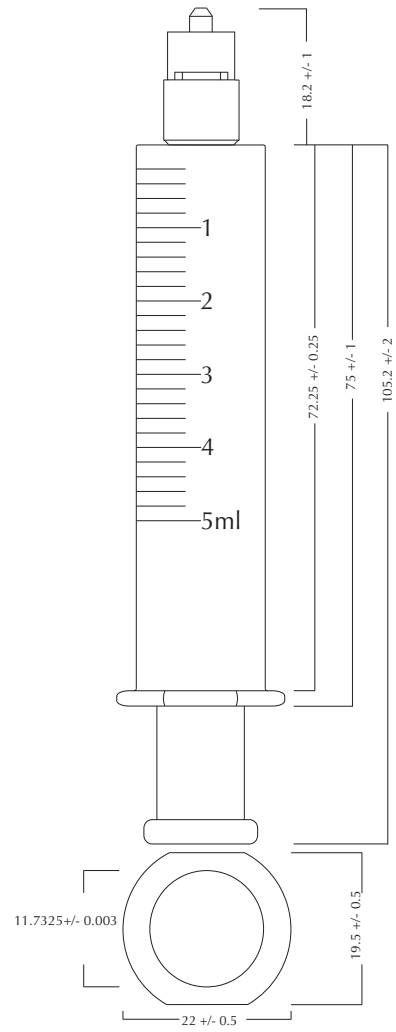
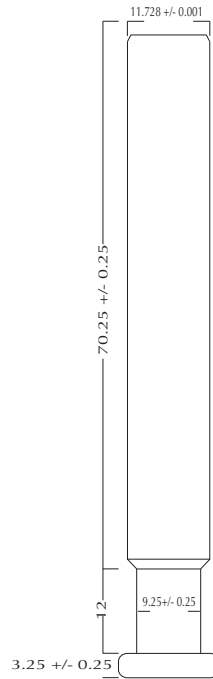
SAMCO Syringe

Glass with metal tip,
lock luer fitting & fully interchangeable

5ml Capacity

Material - Neutral Glass

Italian Origin





S MURRAY & CO

G813/02

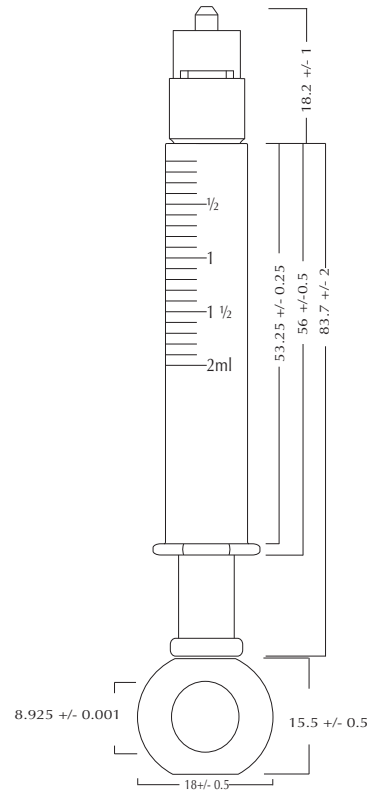
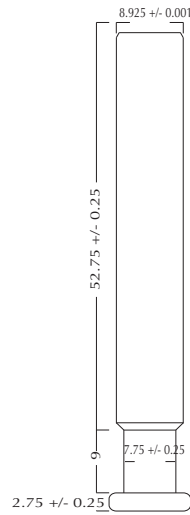
SAMCO Syringe

Glass with metal tip,
lock luer fitting & fully interchangeable

2ml Capacity

Material - Neutral Glass

Italian Origin





S MURRAY & CO

G813/01

SAMCO Syringe

Glass with metal tip,
lock luer fitting & fully interchangeable

1ml Capacity

Material - Neutral Glass

Italian Origin

