



Halo Sense

Lab air quality sensor

Life in the lab becomes Simpler *Safer*



Be informed about the air you breathe in the lab

Keeps you safe

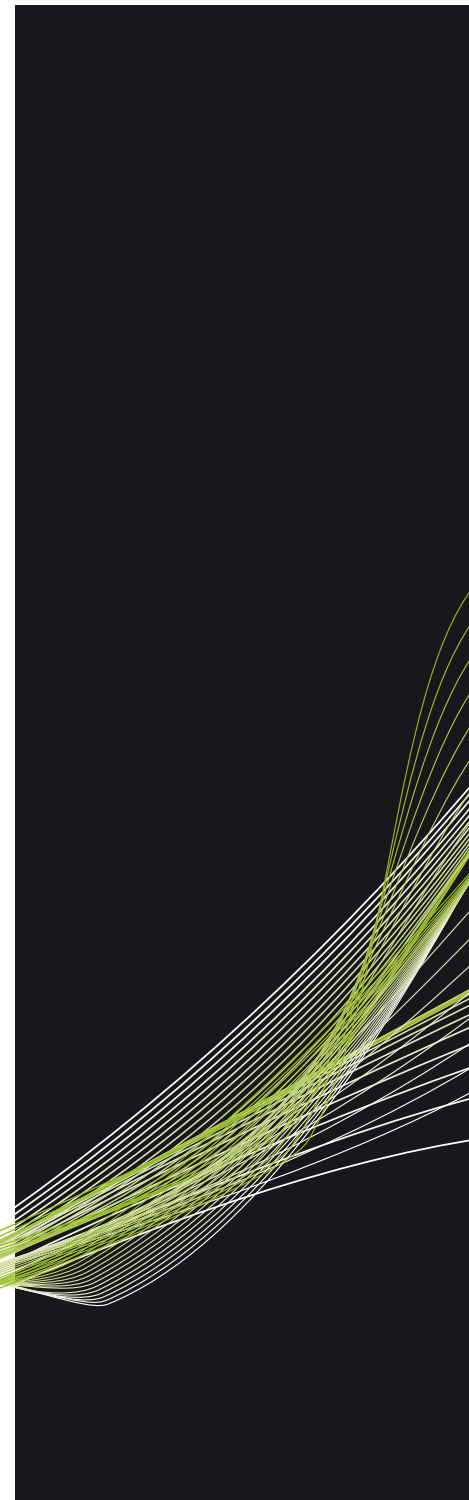
Halo Sense has been designed to continuously monitor the lab air quality for a large spectrum of fumes and vapors.

Choose the best version

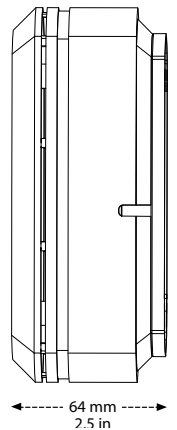
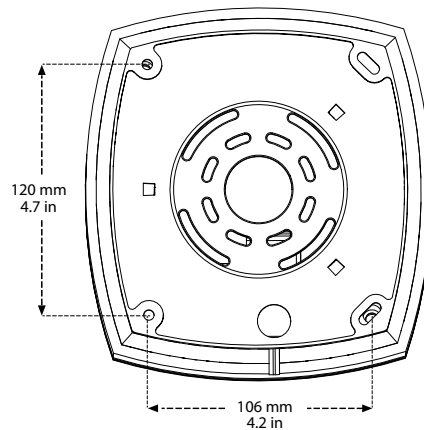
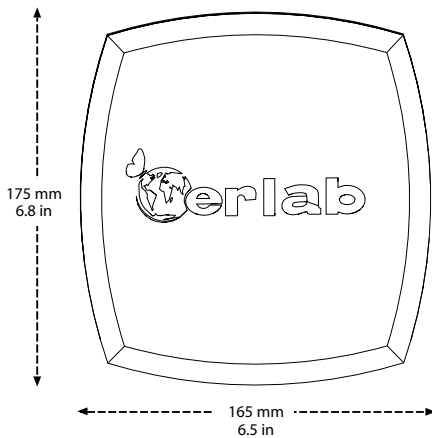
Halo Sense comes in 3 versions: Volatile Organic Compounds (VOC), Acid and Formaldehyde.

Smart technology

When Halo senses fumes or vapors, a soft band of light pulses to let you know that the air is polluted. Use the eGuard App to monitor and receive notifications.



Specifications



Halo Sense 3 versions

VOC	Formaldehyde	Acid
For Labs with volatile organic compounds	For Labs with formaldehyde vapors	For Labs with acid vapors

Sensor Housing	Lightweight, durable plastic		
Detection	Semiconductor sensor	Electro-chemical sensor	Electro-chemical sensor
Weight	1 kg - 2.2 lbs		
Installation	Table top or wall mounted		
eGuard	App for remote control and monitoring		
Energy consumption	10 W		
User Interface	Simple communication by LED pulsation system		
Voltage / frequency	80-240V 50/60hz		



Download our eGuard App and see what Halo is sensing

eGuard sends alerts to your preferred device. If the lab air is polluted, it allows you to take action before pollution levels become a hazard

Available for smartphone



France
+33 (0) 2 32 09 55 80 | ventes@erlab.net

Germany
0800 330 47 31 | verkauf@erlab.net

USA
+1 800-964-4434 | captairsales@erlab.com

United-Kingdom
+44 (0) 1722 341 940 | salesuk@erlab.net

China
+86 (0) 512 5781 4085 | sales.china@erlab.com.cn

Italy
+39 (0) 2 89 00 771 | vendite@erlab.net

Malaysia
+60 (0) 7 3 555 724 | erlab@tm.net.my

Spain
+34 93 673 24 74 | ventas@erlab.net



www.erlab.com

