



ANTI-VIBRATION TABLE

(P.N.8035, Rev. A1, May 2006)

1.0 INTRODUCTION

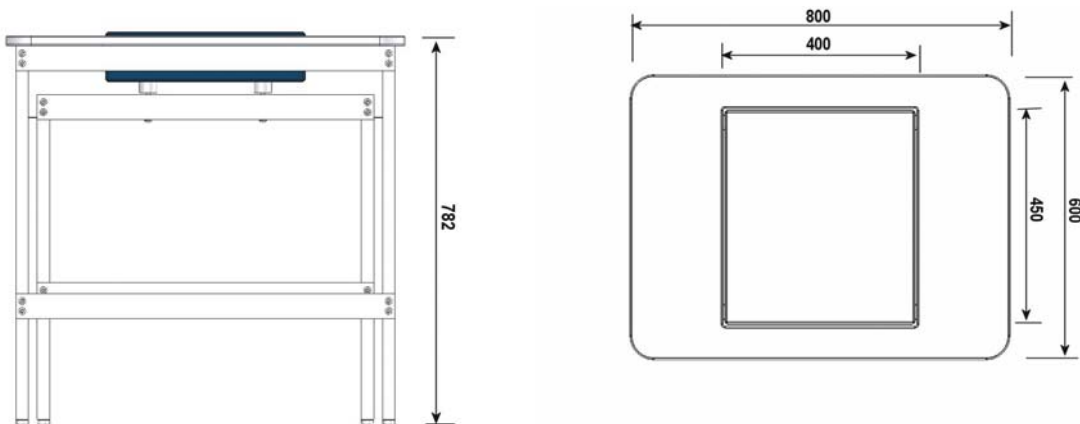
The Adam Anti-Vibration Table is designed for use in the laboratory or metrology room to provide suitable working conditions for devices that are sensitive to vibrations and shocks.

The table comprises two separate parts-

- An internal working surface consisting of a large marble slab mounted on rubber shock absorbing mounts
- An external service table with steel frame and adjustable levelling feet

2.0 TECHNICAL SPECIFICATIONS

Overall dimensions (w x d x h)	800 x 600 x 782 mm
Work Surface dimensions Weight	400 x 450 mm
Weight of Work Surface	48 kg
Total Weight	88 kg

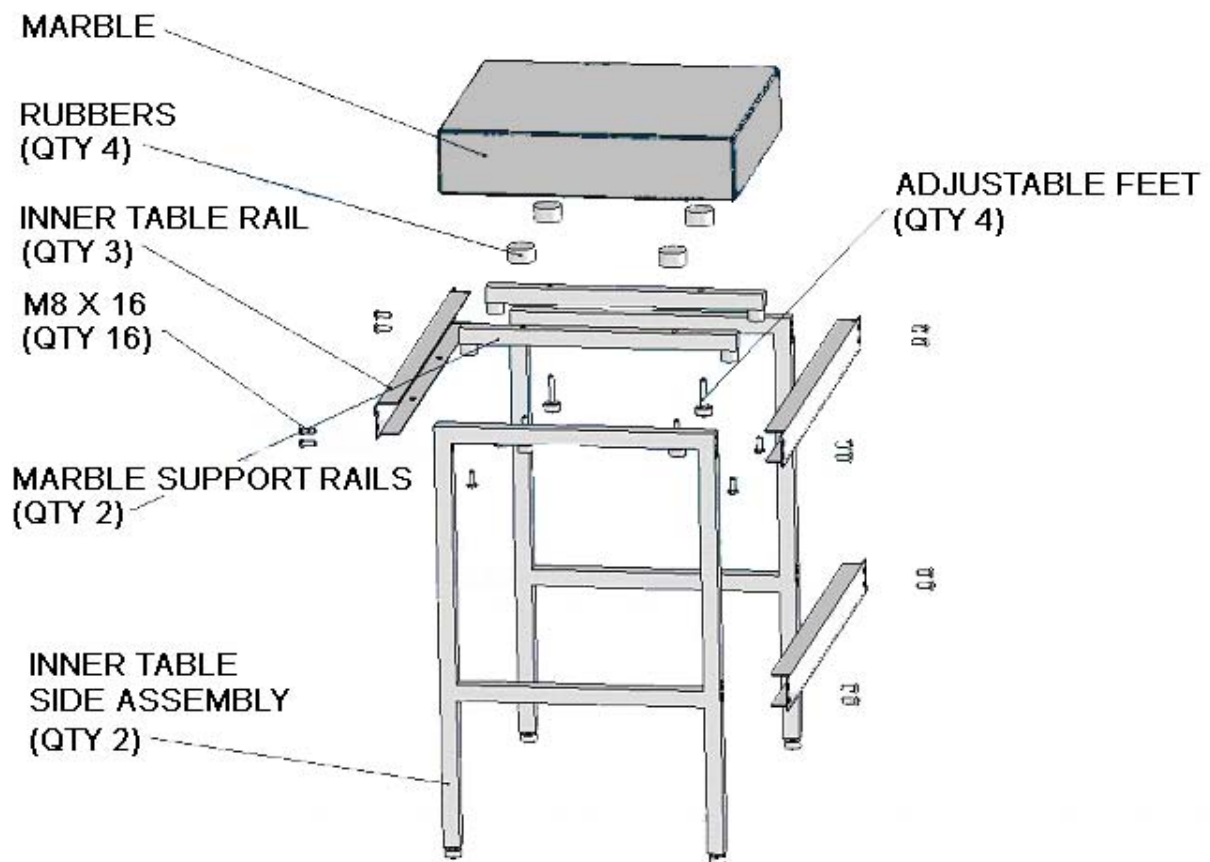


4.0 SETTING UP THE TABLE

4.1 PACKING LIST

No.	NAME	QTY
1	MARBLE	1
2	RUBBER	4
3	INNER TABLE RAIL(SMALL)	3
4	M8 × 16 SCREW	28
5	MARBLE SUPPORT RAIL	2
6	INNER TABLE SIDE ASSEMBLY(SMALL)	2
7	ADJUSTABLE FOOT	4
8	FRONT TRIM PANEL	1
9	Z-CLIP	4
10	M8 × 8 SCREW	4
11	TABLE TOP	1
12	MAIN TABLE RAIL (LARGE)	2
13	MAIN TABLE SIDE ASSEMBLY(LARGE)	2
14	HEXAGON SPANNER	1

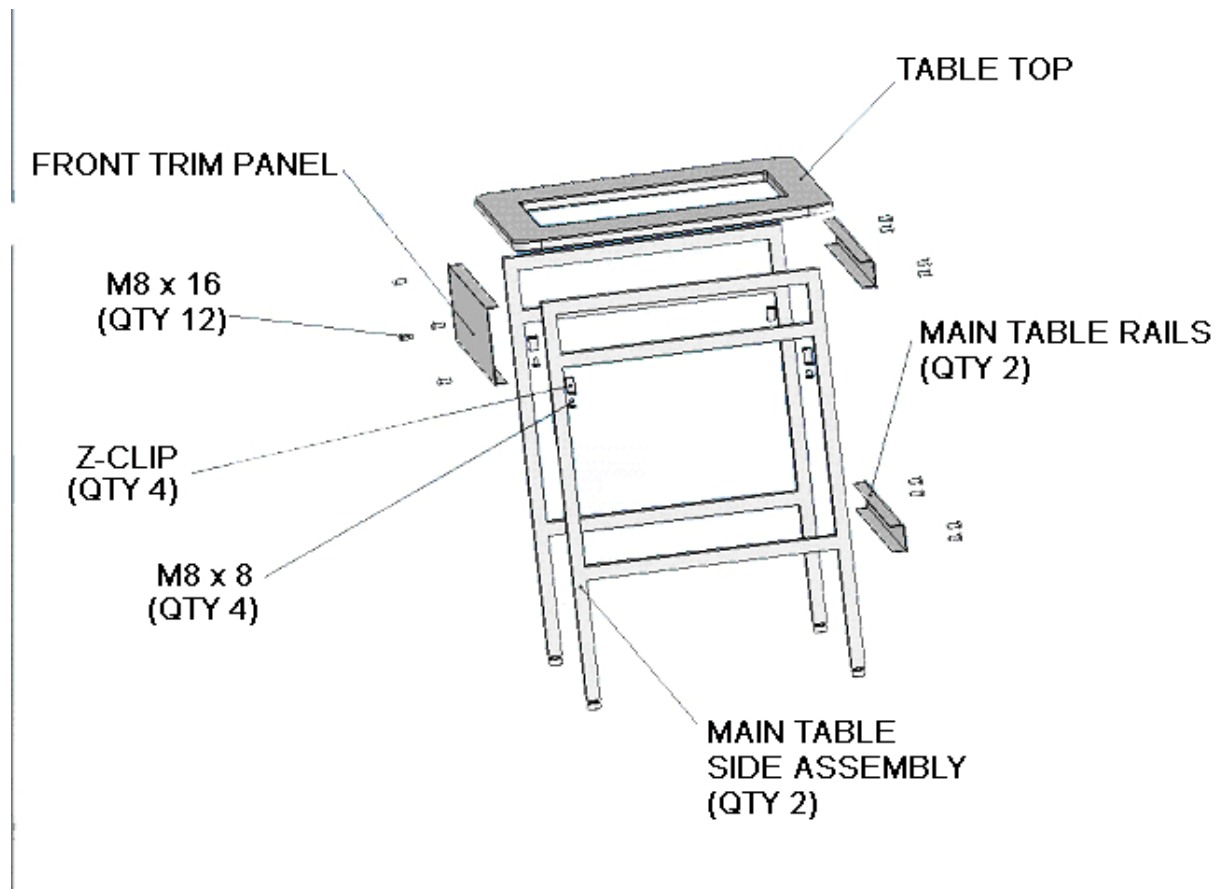
4.2 INNER TABLE ASSEMBLY DIAGRAM



Assembly instructions:

1. Assemble the 3 x INNER TABLE RAILS using the HEXAGON SPANNER with twelve M8 x 16 screws onto the 2 x INNER TABLE SIDE ASSEMBLIES. Pay attention that the rails are assembled with the holes facing downwards.
2. Assemble the MARBLE SUPPORT RAILS using four M8 x 16 screws onto the INNER TABLE RAILS.
3. Assemble the four ADJUSTABLE FEET into the MARBLE SUPPORT RAILS and then add the four RUBBERS to the ADJUSTABLE FEET.
4. Place the MARBLE onto the RUBBERS making sure that the marble is centrally located.

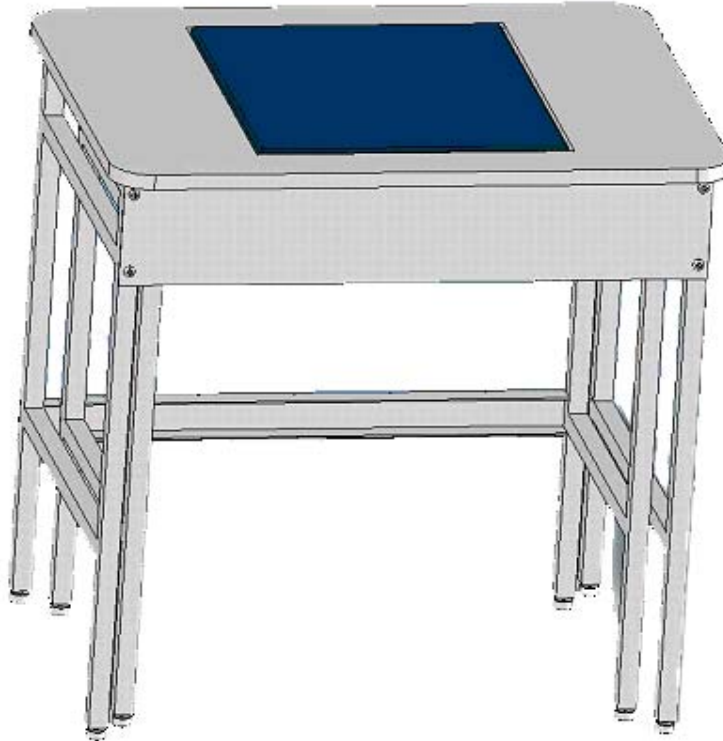
4.3 MAIN TABLE ASSEMBLY DIAGRAM



Assembly instructions:

1. Assemble the FRONT TRIM PANEL using four M8 x 16 screws onto the 2 x MAIN TABLE SIDE ASSEMBLIES.
2. Fix the 2 x TABLE RAILS using eight M8 x 16 screws onto the MAIN TABLE SIDE ASSEMBLIES.
3. Put the TABLE TOP onto the main frame using the four Z-CLIPS and four M8 x 16 screws. Two Z-CLIPS should be fitted and secured first and then the other two can be fitted when the table top is in place from underneath. Make sure that the table top is fitted squarely.
4. Now place the MAIN TABLE over the top of the INNER TABLE making sure that the marble is not touching the table top.
5. The feet can now be adjusted to make both tables level.

4.4 COMPLETED ANTI VIBRATION TABLE



5.0 MAINTENANCE

- Do not dismantle the Anti-Vibration table without following the assembly instructions.
- Do not move the Anti-Vibration Table violently and abruptly. It is recommended to move and put down the Table gently.
- It is suggested to wipe the stains with soft cloth soaked with detergent and to wipe later with soft cloth too. Do not use organic solutions and boiled water to wipe the stains. Do not use water for cleaning.
- Keep the Anti-Vibration Table in a dry and clean environment. Do not expose it outdoor or use it in locations near fire, under direct sunshine or with high temperature.



Manufacturer's Declaration of Conformity

This product has been manufactured in accordance with the harmonised European standards, following the provisions of the below stated directives:

Electro Magnetic Compatibility Directive 89/336/EEC

Low Voltage Directive 73/23/EEC

Adam Equipment Co. Ltd.
Bond Avenue
Denbigh East Estate
Milton Keynes, MK1 1SW
United Kingdom

FCC COMPLIANCE

This equipment has been tested and found to comply with the limits for a Class A digital device, pursuant to Part 15 of the FCC Rules. These limits are designed to provide reasonable protection against harmful interference when the equipment is operated in a commercial environment. The equipment generates, uses, and can radiate radio frequency energy and, if not installed and used in accordance with the instruction manual, may cause harmful interference to radio communications. Operation of this equipment in a residential area is likely to cause harmful interference in which case the user will be required to correct the interference at his own expense.

Shielded interconnect cables must be employed with this equipment to insure compliance with the pertinent RF emission limits governing this device.

Changes or modifications not expressly approved by Adam Equipment could void the user's authority to operate the equipment.

ADAM EQUIPMENT is an ISO 9001:2000 certified global organisation with more than 30 years experience in the production and sale of electronic weighing equipment. Products are sold through a world wide distributor network supported from our company locations in the UK, USA and SOUTH AFRICA.

ADAM's products are predominantly designed for the Laboratory, Educational, Medical and Industrial Segments. The product range is as follows:

- Analytical and Precision Laboratory Balances
- Top Loading Scales for Educational establishments
- Counting Scales for Industrial and Warehouse applications
- Digital Weighing/Check-weighing Scales
- High performance Platform Scales with extensive software features including parts counting, percent weighing etc.
- Crane scales for heavy-duty industrial weighing
- Digital Electronic Scales for Medical use
- Retail Scales

<p>Adam Equipment Co. Ltd. Bond Avenue Milton Keynes MK1 1SW UK</p> <p>Phone: +44 (0)1908 274545 Fax: +44 (0)1908 641339</p> <p>e-mail: sales@adamequipment.co.uk</p>	<p>Adam Equipment Inc. 26, Commerce Drive Danbury, CT 06810 USA</p> <p>Phone: +1 203 790 4774 Fax: +1 203 792 3406</p> <p>e-mail: sales@adamequipment.com</p>	<p>Adam Equipment S.A. (Pty) Ltd. P.O. Box 1422 Kempton Park 1620 Johannesburg Republic of South Africa</p> <p>Phone +27 (0)11 974 9745 Fax: +27 (0)11 392 2587</p> <p>e-mail: sales@adamequipment.co.za</p>
---	---	--

© Copyright by Adam Equipment Co. Ltd. All rights reserved. No part of this publication may be reprinted or translated in any form or by any means without the prior permission of Adam Equipment.

Adam Equipment reserves the right to make changes to the technology, features, specifications and design of the equipment without notice.

All information contained within this publication is to the best of our knowledge timely, complete and accurate when issued. However, we are not responsible for misinterpretations which may result from the reading of this material.

The latest version of this publication can be found on our Website.

Visit us at www.adamequipment.com