



Diaphragm Pumps for Air, Gases and Vapours



LABOPOINT® Chemically-resistant Diaphragm Vacuum Pumps

Technical features:

- 100% oil-free transfer
- Pure transferring and evacuation of gases
- Highly compatible with vapours and condensation
- Chemically-resistant
- Therefore suitable for highly aggressive or corrosive gases and vapours
- Maintenance-free
- Environmentally friendly
- Gastight, leakage rate approx. 6×10^{-3} mbar x l/s, not tested in serial production.

Series LABOPOINT® N 820 FT.18, N 820.3 FT.18 Pumps

The chemically-resistant series N 820 and N 820.3 diaphragm pumps are single- and double-head, dry-running devices used in a wide range of laboratory applications. They transfer and pump down without contamination.

The heart of these very compact pumps is a KNF structured diaphragm. This patented diaphragm was stress-optimized using the Finite Elements method. As a result, we were able to make the pumps smaller while increasing the service life of the diaphragm.

Material in contact with the pumped media

Type/OrderNo.	Pump head	Diaphragm	Valves
N 820 FT.18	PTFE	PTFE-coated	FFPM
N 820.3 FT.18	PTFE	PTFE-coated	FFPM

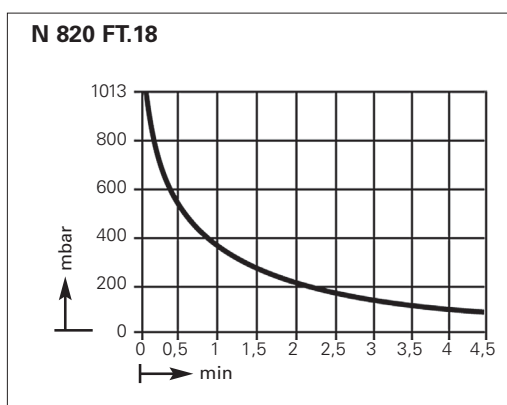
Technical data:	N 820 FT.18	N 820.3 FT.18
Delivery (l/min) ¹⁾	20	20
Ultimate vacuum (mbar abs.)	100	8
Operating pressure (bar g)	1	1
Connectors for tube (mm)	ID 10	ID 10
Permissible gas and ambient temperature	+5...+40 °C	+5...+40 °C
Mains	230V/50Hz	230V/50Hz
Motor protection	IP 44	IP 44
Power P ₁	130 W	120 W
Operating current	0.9 A	0.7 A
Weight	7.1 kg	9.3 kg
Dimensions LxHxW (mm)	268/207/159	312/207/154
With thermal switch and power fuse		

Motors with other voltages and frequencies on request.

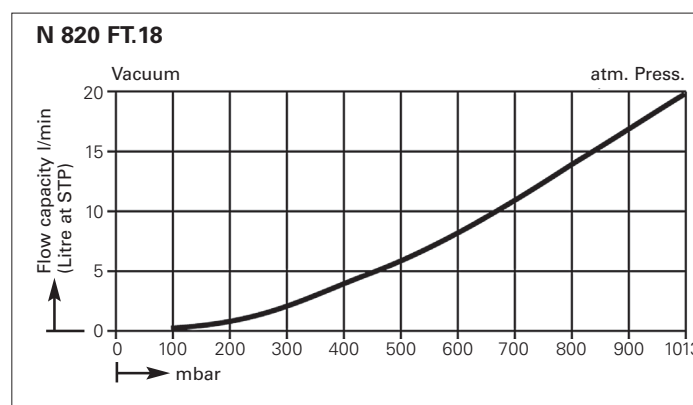
¹⁾ at atm. pressure

Dimensions and performance characteristics

Pump down time for 10 l receiver

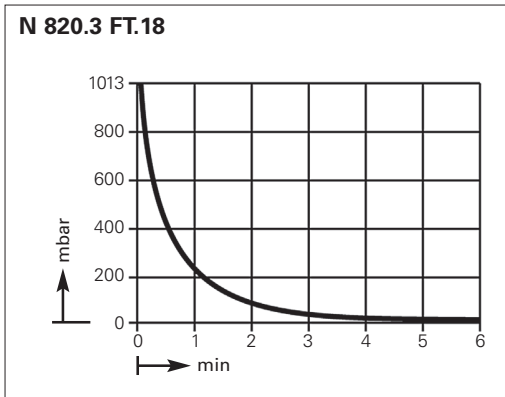


Performance characteristics

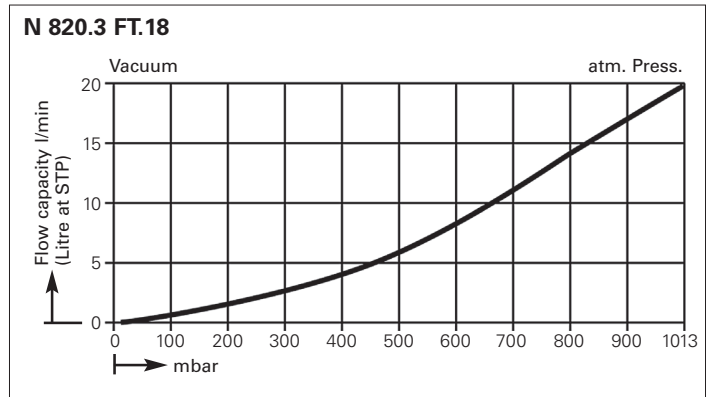




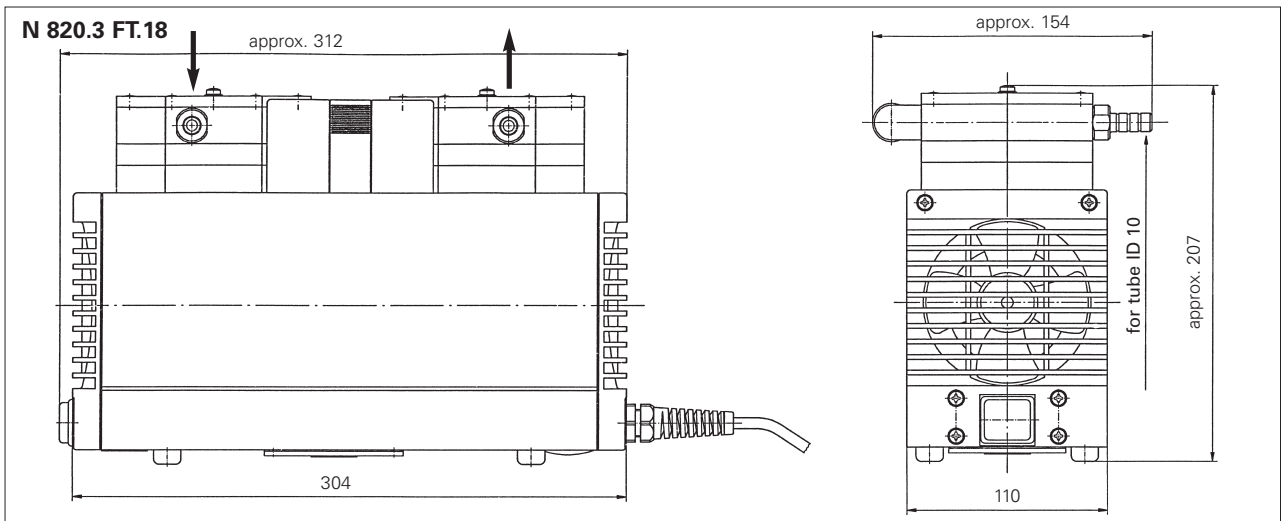
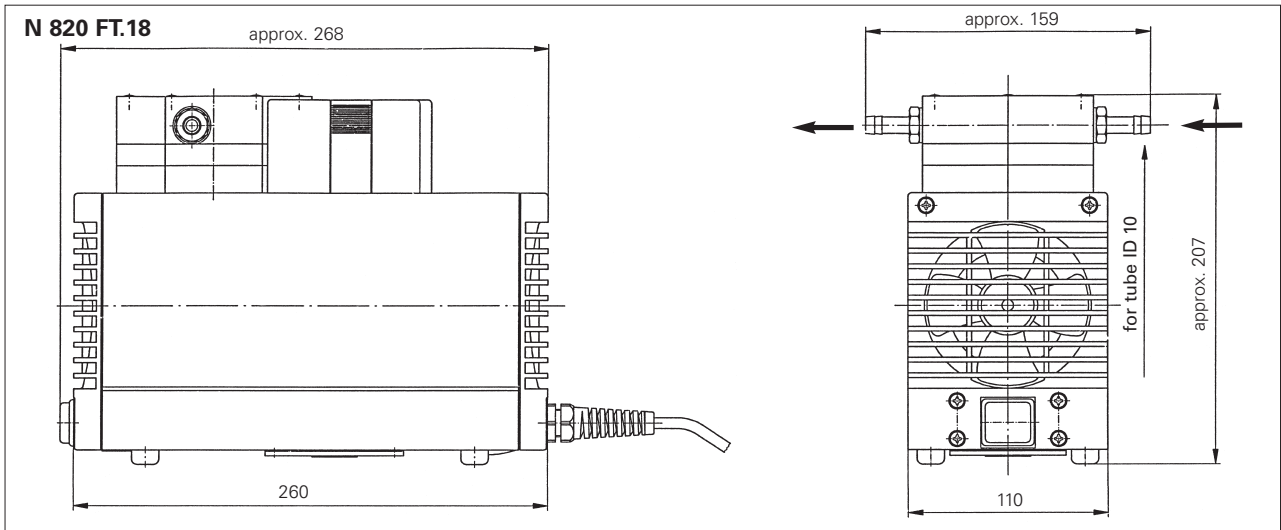
Pump down time for 10 l receiver



Performance characteristics



Dimensions (mm)



Spare parts

Description	Details	Order No.
Spares kit	for N 820 FT.18	058078
Spares kit	for N 820.3 FT.18	057358