



Vacuum Pump System, the new Generation



SEM 950 Vacuum Pump System

manual adjustable,
speed regulated

Features:

- Fast and precise evaporation/distillation
- Quiet operation
- Integrated gas ballast valve
- Variable system pressure via speed regulation
- High recovery rates even with low boiling point solvents
- Environmentally friendly
- Low maintenance-free
- Ease of operation: using a rotary knob and a membran keypad
- Fast process times
- Digital Vacuum display
- Capturing of particles in the system (suction side)

Precise vacuum

These days, it is hard to imagine modern laboratories without controller-operated vacuum pump systems. They deliver precise vacuum and offer widely diverse control functions for a huge range of applications in the laboratory.

Gentle distillation

The SEM 950 vacuum pump system enables reliable manual control over the process in the rotary evaporator. A closed system permits gentle distillation and high rates of recovery even with low-boiling solvents.

Straightforward operation

Power is adjusted by turning a rotary knob to control the speed of the vacuum pump. Parameters are indicated on a display; the membrane keypad makes it easy to intervene in ongoing lab processes with speed and precision. The SEM 950 contains: vacuum pump, valve controller, gas ballast valve, condenser, and separator. Adjustment options: Pressure and pump speed (suction power adjusted with rotary knob, digital vacuum indicator).

Perfectly matched components

This vacuum pump system SEM 950 opens up a whole new range of options in the laboratory. This is due to new functions and technical solutions. Thanks to the coordinated development of the individual components it has been possible, for example, to adjust the sensitivity of the motor to suit the requirements of the control process.

KNF reserves the right to make changes.

Applications:

- Vacuum evaporation
- Vacuum desiccation
- Vacuum gel drying
- Vacuum filtration

Fast process times

Besides intelligent control, the diaphragm vacuum pump used in the SEM 950 further contributes to short process times. The pump is fitted with the patented KNF diaphragm system that ensures high suction speeds even at low pressures. The vacuum pump system achieves an ultimate vacuum of 2 mbar absolute and delivers up to 50 liters of gas per minute. All gas carrying parts are manufactured from chemical resistant materials.

Technical data:

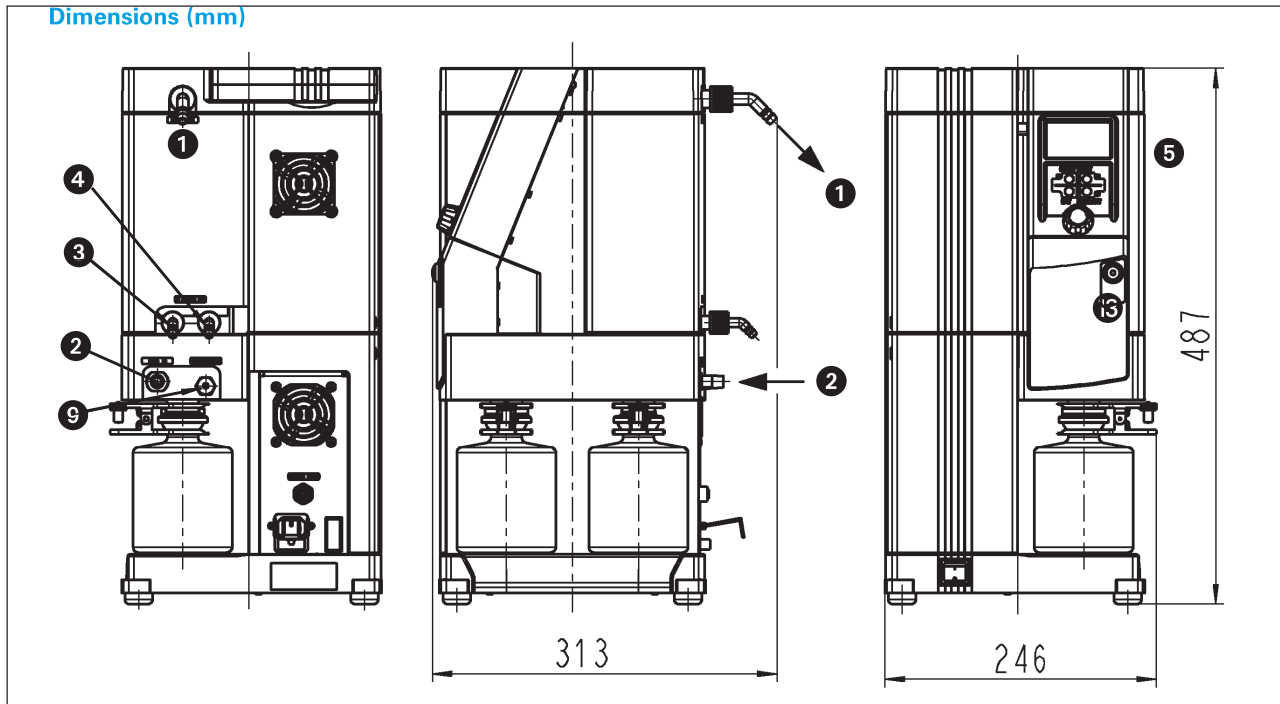
Delivery (l/min) ¹⁾ :	50
Ultimate vacuum (mbar abs.):	2
Control:	over pressure-rotary knob and membrane keypad
Mains connection:	100 - 240 V, 50 - 60 Hz
Power consumption:	max. 150 W
Hose connections, pneumatic:	ID 10
Hose connections for coolants:	ID 8
Current consumption:	max. 1,7 A
Weight:	14,5 kg
Dimensions (mm) H x W x D:	487 x 246 x 313
With overcurrent protection and mains fuse	

¹⁾ at atm. pressure



Vacuum Pump System, the new Generation

Dimensions (mm)



Accessory

Order No.	Description	Details
117121	Coolant valve	G 1/2, ID 8



Legende:

- 1 Gas outlet
- 2 Connection to vacuum chamber
- 3 Coolant inlet
- 4 Coolant outlet
- 5 Remote control
- 6 Connection coolant valve
- 7 Pressure-rotary knob
- 8 Mains switch
- 9 Inert gas connections
- 10 Carry handle
- 11 Mains connection
- 12 Separator
- 13 Gas ballast on/off