

Complete monitoring system for the automatic, continuous measurement of the specific (total) conductivity in feedwater, steam and condensate.

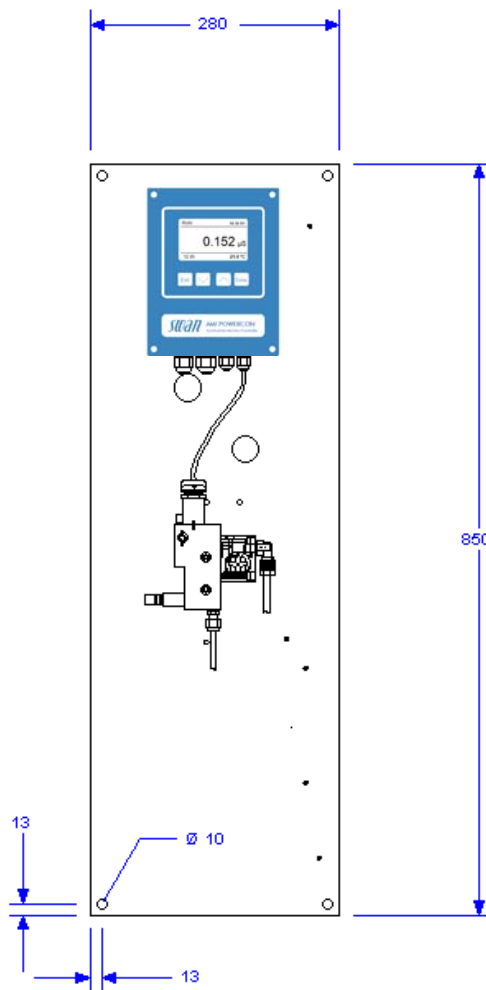
Monitor AMI Powercon Specific

Complete system mounted on stainless steel mounting panel:

- **Transmitter AMI Powercon**
in a rugged aluminum enclosure (IP 66).
- **Swansensor UP-Con1000-SL**
two-electrode conductivity sensor with slot-lock design and integrated Pt1000 temperature probe.
- **Flow cell QV-Flow UP-CON-SL**
made of stainless steel with flow adjustment valve and digital sample flow meter. Quick sensor release with patented slot-lock design.
- Factory tested, ready for installation and operation.

Specifications:

- Conductivity measurement range:
0.055 to 1000 µS/cm
- Big backlit LC display for the reading of measuring value, sample temperature, sample flow, temperature compensation type and operating status.
- Easy user menus in English, German, French and Spanish. Simple programming of all parameters by keypad.
- Wide range of selectable temperature compensations for different sample conditions.
- Electronic record of major process events and calibration data.
- Data logger for 1'500 data records stored at a selectable interval. (Data download to PC requires optional HyperTerminal interface).
- Two current outputs (0/4 - 20 mA) for measured signals.



Order scheme	Monitor AMI Powercon Specific	A - 2 3 . 4 4 1 .	X	X	0
Power supply	85 - 265 VAC / 47 - 63 Hz	1	↑	↑	
	24 VDC, direct current	2			
Electrical output option	None				0
	Third current signal output 0/4 - 20 mA				1
	Profibus DP interface				2
	HyperTerminal interface (for logger download)				3
	Modbus interface (for <i>Webserver</i> connection)				4

Conductivity Measurement

Swansensor UP-Con1000-SL with integrated Pt1000 temperature probe ($k = 0.0415 \text{ cm}^{-1}$).

Measuring range	Resolution
0.055 to 0.999 $\mu\text{S/cm}$	0.001 $\mu\text{S/cm}$
1.00 to 9.99 $\mu\text{S/cm}$	0.01 $\mu\text{S/cm}$
10.0 to 99.9 $\mu\text{S/cm}$	0.1 $\mu\text{S/cm}$
100 to 1000 $\mu\text{S/cm}$	1 $\mu\text{S/cm}$

Automatic range switching.

Accuracy: $\pm 1\%$ of measured value

Temperature compensations

- Non linear function (NLF) for high purity water
- Neutral salts
- Strong acids
- Strong bases
- Ammonia, Ethanolamine
- Morpholine
- Linear coefficient in $\%/\text{°C}$
- Absolute (none)

Temperature measurement

with Pt1000 type sensor
Measuring range: -30 to +130 °C
Resolution: 0.1 °C

Sample flow measurement

with digital SWAN sample flow sensor.

Transmitter Specifications and Functionality

Electronics case: Cast aluminum
Protection degree: IP 66 / NEMA 4X
Display: backlit LCD, 75 x 45 mm
Electrical connectors: screw clamps
Dimensions: 180 x 140 x 70 mm
Weight: 1.5 kg
Ambient temperature: -10 to +50 °C
Humidity: 10 - 90% rel., non condensing

Power supply

Voltage: 85 - 265 VAC, 47 - 63 Hz
or 24 VDC, $\pm 15\%$
Power consumption: max. 20 VA

Operation

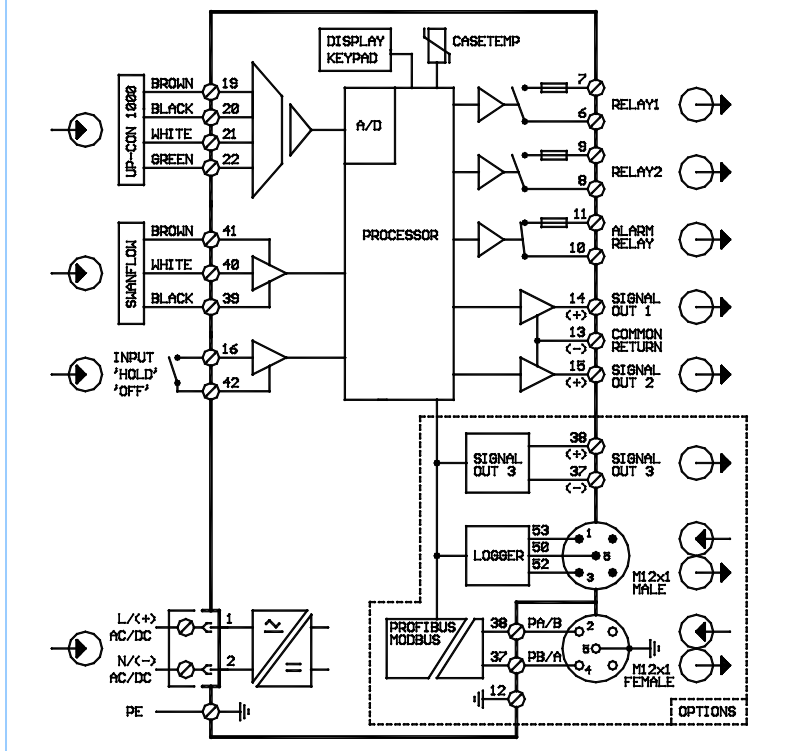
Easy operation based on separate menus for "Messages", "Diagnostics", "Maintenance", "Operation" and "Installation". User menus in English, German, French and Spanish.

Separate menu specific password protection.

Display of process value, sample flow, alarm status and time during operation. Storage of event log, alarm log and calibration history.

Storage of the last 1'500 data records in logger with selectable time interval.

Electrical Connection Scheme



Safety features

No data loss after power failure, all data is saved in non-volatile memory. Overvoltage protection of in- and outputs. Galvanic separation of measuring inputs and signal outputs.

Transmitter temperature monitoring with programmable high/low alarm limits.

1 Alarm relay

One potential free contact for summary alarm indication for programmable alarm values and instrument faults. Maximum load: 1A / 250 VAC

1 Input

One input for potential-free contact. Programmable hold or remote off function.

2 Relay outputs

Two potential-free contacts programmable as limit switches for measuring values, controllers or timer for system cleaning with automatic hold function. Rated load: 1A / 250 VAC

2 Signal outputs (3rd as option)

Two programmable signal outputs for measured values (freely scaleable, linear or bilinear) or as continuous control outputs (control parameters programmable).
Current loop: 0/4 - 20 mA
Maximum burden: 510 Ω

Control functions

Relays or current outputs programmable for 1 or 2 pulse dosing pumps, solenoid valves or for one motor valve. Programmable P, PI, PID or PD control parameters.

1 Communication interface (option)

RS232 interface for logger download to PC with Microsoft HyperTerminal or RS485 interface (galvanically separated) with Fieldbus protocol Modbus or Profibus DP.

Monitor Data

Sample conditions

Flow rate: 5 to 20 L/h
Temperature: up to 50 °C
Inlet pressure (25 °C): up to 2 bar
Outlet pressure: pressure free
No sand, no oil

Flow cell and connections

Flow cell made of stainless steel with built-in flow adjustment valve and digital sample flow meter. Quick sensor release with patented slot-lock design.

Sample inlet: Swagelok 1/4" tube adapter
Sample outlet: G 1/2" adapter for flexible tube $\text{Ø} 20 \times 15 \text{ mm}$

Panel

Dimensions: 850 x 280 x 200 mm
Material: stainless steel
Total weight: 12.0 kg