

Flow cell for the connection to tubes

B-flow L Oxytrace

Flow cell made of stainless steel SS316L for the connection to tubes for one oxygen sensor Oxytrace SC.

Technical data:

Flow cell made of stainless steel SS316L.

1 insert for one oxygen sensor Oxytrace SC.

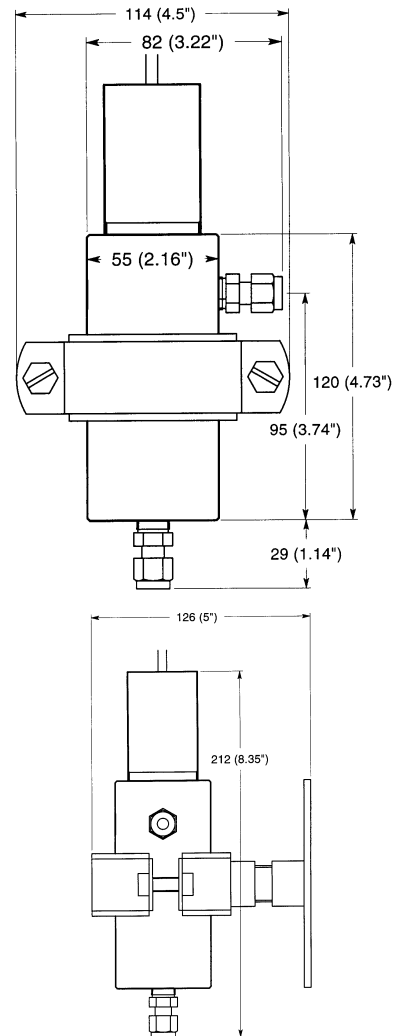
Operating temperature: -10 +130 °C
Sensor: max. 50 °C

Operating pressure: max. 10 bar at +130 °C
Sensor: max. 3 bar

Connection:
2x Swagelok connection for ¼" tube

Length totally:
length: ca. 149 mm
diameter: ca. 82 mm
length with sensor: ca. 212 mm

(picture with sensor, Swagelok connections and mounting set)



Delivery includes:

Flow cell B-flow SS316L Oxytrace with bushing for oxygen sensor
process connection: 2x Swagelok connection for ¼" tube

Order number	B-flow SS316L Oxytrace	A-83.228.326
---------------------	-------------------------------	---------------------

Accessories:

A-89.300.040 Mounting set (pipe clip Ø 55 mm with holder)