

Flow cell for the direct mounting in water pipes

Flow cell B-flow Y PVC

Flow cell for the direct mounting in pipes with 1 insert PG13.5 for pH- or ORP (redox) sensors.

Technical data:

Flow cell made of PVC.

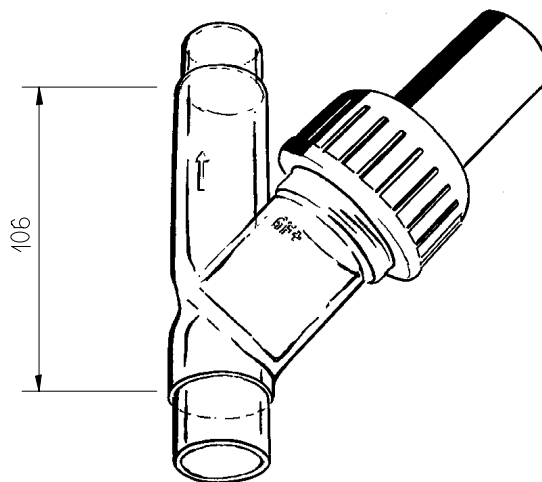
1 insert PG13.5 for one sensor with 12 mm shaft diameter and length according to DIN (shaft length 120 ± 2 mm, total length max. 200 mm).

Flow rate: 0 - 40 l/h

Rated pressure: 0.15 - 2 bar

Connection for glued bushing: $\varnothing 25$

Weight: 200 g



Delivery includes:

Flow cell B-flow Y PVC.

Order number	B-flow Y PVC	A-83.211.561
---------------------	---------------------	---------------------