

Three electrode measuring cell for amperometric determination of hydrazine or carbohydrazide in water. In combination with Swansensor Reference TD.

## Hydrazine Sensor

Hydrazine sensor with BNC plug, cleaned gently by rotor.

Applicable with Hydrazine overflow cell and FAM Hydrazine transmitter.

### Technical Data:

Self-cleaning platinum/platinum sensor in combination with Swansensor Reference TD.

Sensor connection: BNC plug

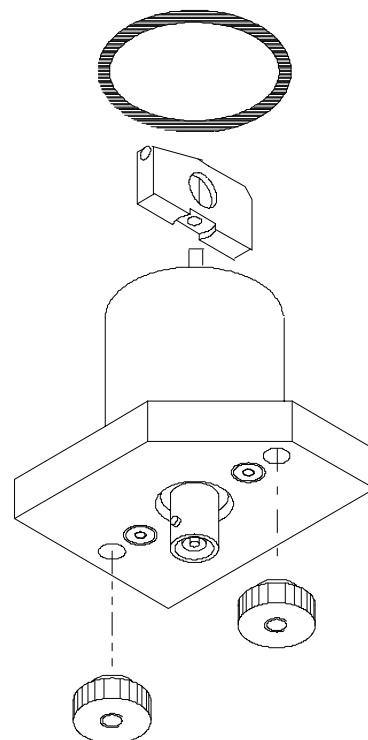
Measuring range:  
hydrazine / carbohydrazide 0.1 to 600 ppb

Operating temperature: 0 to 50 °C

Materials:

- Electrodes platinum/platinum  
- Cell body black PETP

Weight: 120 g



### Delivery includes:

Hydrazine sensor with BNC plug, rotor and O-ring.

Order number	Hydrazine Sensor	A - 87 . 450 . 020
--------------	------------------	--------------------