

Flow cell with flow adjustment valve for the Swansensor Oxysafe.
Sample flow meter and sample pressure controller available as options.

Flow cell M-Flow M40

Flow cell made of PVC and acrylic glass with one M40 x 1.5 sensor opening, sensor incident flow tube and built-in needle valve for sample flow adjustment. Suitable for Ø 32 mm sensors with M40 adapter.

Removable transparent vessel allows easy sensor calibration and maintenance.

Optional manual sample inlet pressure controller for samples with pressure up to 10 bar.
Optional digital sample flow meter for connection to AMI transmitter.

Technical data

Sample connections

- Inlet and outlet: Serto PA for 6 mm tube

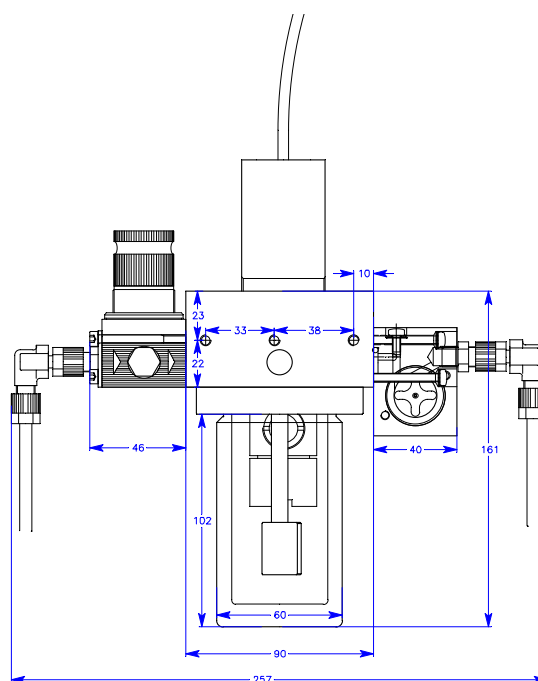
Sample conditions

(for the flow cell without sensor!)

- Flow rate: 4 to 15 l/h
- Temperature: up to 50 °C
- Inlet pressure @ 25 °C:
 - up to 1 bar without pressure controller
 - 0.5 to 10 bar with pressure controller
- Pressure-free outlet (atmospheric drain)
- Particle size: below 0.5 mm
- No strong acids and bases
- No organic solvents

Dimensions

- Width: 90 ... 257 mm
- Front-to-back: 138 mm
- Height: 161 mm
- Panel mounting: 3 screws M5



M-Flow M40 with inlet pressure controller option (left), sample flow meter option (right) and Swansensor Oxysafe with adapter (not included).

Delivery includes:

Flow cell M-Flow M40 with sensor incident flow tube, needle valve and straight and 90° Serto connectors for in- and outlet. Set of mounting screws.

Order scheme	M-Flow M40	A - 83.422.	X	X	X
Pressure controller option	None		1	1	1
	With sample inlet pressure controller		2	1	1
Flow meter option	None			1	1
	With digital sample flow meter			2	1
Flow meter cable length	None				0
	Cable 1 m				1
	Cable 5 m				5
	Cable 15 m				7

Options: A-83.910.060 Sensor mounting adapter for Ø 32 mm sensor in M40 thread
A-89.410.110 Mounting panel for flow cell made of white PVC. Dimensions (w x h x d): 280 x 200 x 10 mm