

Flow cell with built-in cation exchanger for the measurement of the acid (cationic) conductivity

Flow cell Catcon

- Flow cell made of stainless steel SS316L for one sensor with 3/4" NPT thread, fitting length 40 mm.
- Built-in cation exchanger, resin in plastic bottle.
- Option: Flow measurement.

Process connection:

- Sample inlet: Swagelok connection for tube 1/4"
- Sample outlet (no flow meas.): Swagelok connection for tube 1/4"
- Sample outlet (with flow meas.): Pressure-free outlet (funnel with connection for flexible tube 15x20 mm)

Sample requirements:

- Sample flow: 5 to 20 l/h
- Sample pressure: 0.2 to 2 bar
Pressure-free outlet necessary.
- Temperature: max. 50 °C
- No sand, no oil

Mounting:

- Wall installation with mounting kit (included in delivery + empty replacement bottle).

Cation exchanger:

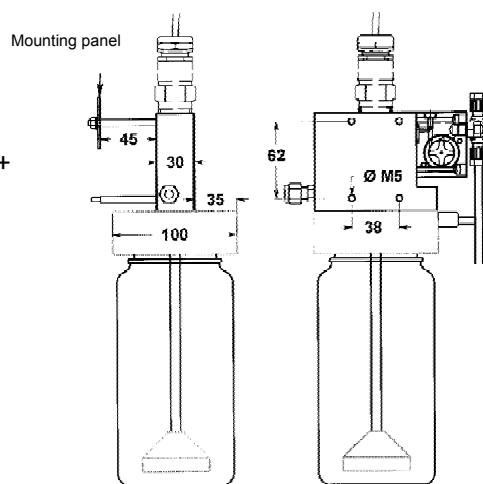
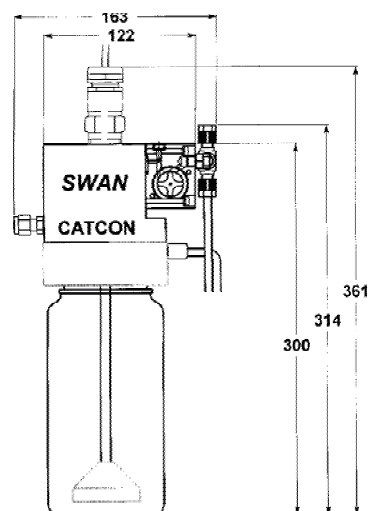
- Cleaned resin (Nuclear Grade) ready for operation (included in delivery + empty replacement bottle).
- Resin sufficient at 1 mg/l ammonia (pH 9.4):
4 months operation at 10 l/h flow
5 months at 5 l/h.
- Change of resin by changing the plastic bottle where the resin is inside.

Additional function in combination with the transmitters series FAM and PAM:

- Flow measurement (l/h) with alarm high/low
Measuring range: 0 to 25 l/h

Delivery includes:

- Flow cell with cation exchanger (Bottle with ion exchanger and empty replacement bottle without ion exchanger), Option: flow measurement



(picture with conductivity sensor)

Order scheme	Flow cell Catcon	A-83.441.10	
Flow sensor:	without		↑ 0
	1 meter cable		1
	5 meter cable		5