

Three electrode measuring cell for amperometric determination of hydrazine or carbohydrazide in water. In combination with Swansensor Reference TD.

Hydrazine Sensor

Hydrazine sensor with BNC plug, cleaned gently by rotor.

Applicable with Hydrazine overflow cell and AMI Hydrazine monitor.

Technical Data:

Self-cleaning platinum/platinum sensor in combination with Swansensor Reference TD.

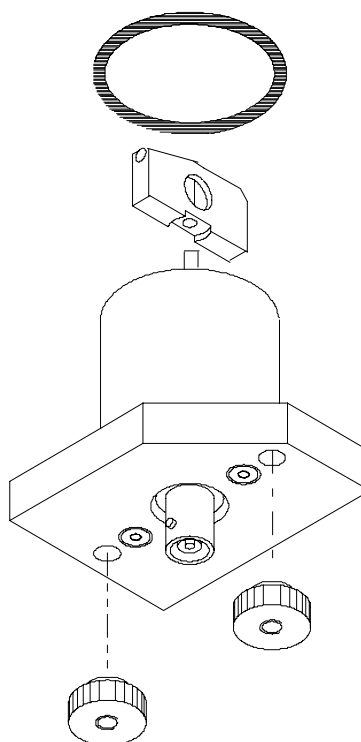
Sensor connection: BNC plug

Measuring range:
hydrazine / carbohydrazide 0.1 to 600 ppb

Operating temperature: 0 to 50 °C

Materials:
- Electrodes platinum/platinum
- Cell body black PETP

Weight: 120 g



Delivery includes:

Hydrazine sensor with BNC plug, rotor and O-ring.

Order number	Hydrazine Sensor	A-87.450.020
	Swansensor Reference TD	A-87.850.100