

Sensor for the measurement of the specific conductivity. Four electrode design with integrated temperature sensor.

### Swansensor Shurecon S

For applications in surface water, potable water and cooling water.  
Unaffected by fouling. No measuring errors due to polarization effects. Sterilizable.

Sensor with plug. For the use together with the SWAN conductivity transmitters AMI Solicon4 and AMU Solicon4.

#### Specifications:

Conductivity range: 0.1  $\mu\text{S/cm}$  - 100  $\text{mS/cm}$

Accuracy:  $\pm 1\%$  or  $\pm 1.5 \mu\text{S/cm}$   
whichever is greater

Cell constant k: 0.45  $\text{cm}^{-1}$

Temperature sensor type: Pt1000

#### Operating conditions:

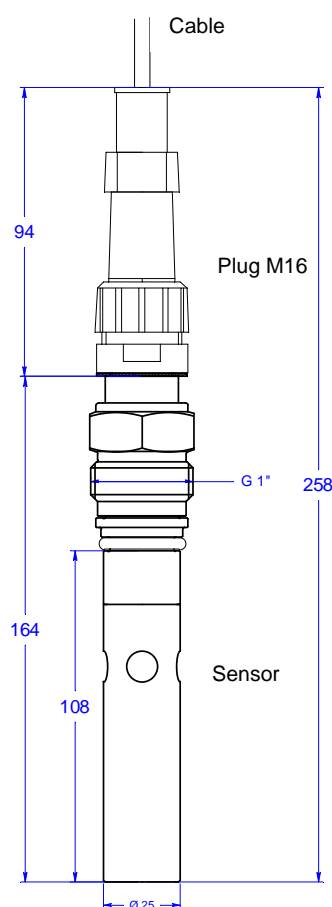
- Max. temperature: 120°C at 6.5 bar
- Max. pressure: 12 bar at 20°C
- Sterilizable at: 120°C / 5 bar / 30 min.

#### Materials:

- Body: PPSU
- Shaft: stainless steel SS 316L
- Current electrodes: SS 316L
- Isolation: PEEK
- Voltage electrodes: Platinum
- Cover: PVDF

Electrical connection: Plug M16 male (IP 67)

Process connection: G 1" thread



Sensor with cable (not included)

<b>Order number</b>	<b>Swansensor Shurecon S</b>	<b>A - 8 7 . 3 4 1 . 0 0 0</b>
---------------------	------------------------------	--------------------------------

#### **Accessories:**

- A-88.175.120 **Sensor cable 1 m**, M16 female plug - sleeves
- A-88.175.520 **Sensor cable 5 m**, M16 female plug - sleeves
- A-88.175.720 **Sensor cable 15 m**, M16 female plug - sleeves
- A-83.910.110 **Welding connector**, G 1" thread,  $\varnothing 38$  mm, length 55 mm, 60°, stainless steel
- A-83.438.XXX **Flow cell M-Flow G1** with flow adjustment valve  
For details please see the separate data sheet no. DenA83438XXX