

Three electrode measuring cell for amperometric determination of disinfectants in water in combination with the Swansensor Reference TD

TRIDES disinfectant sensor

Disinfectant sensor with BNC plug, cleaned gently by rotor.

Applicable with TRIDES overflow cell and Compact 200 Trides A.

Measuring range from 0.00 to 10.00 ppm free chlorine, 0 to 1 ppm ozone, 0 to 3 ppm chlorine-dioxide, bromine or iodine.

Technical data:

Self-cleaning platinum/platinum disinfectant sensor in combination with Swansensor Reference TD.

Connection: BNC plug

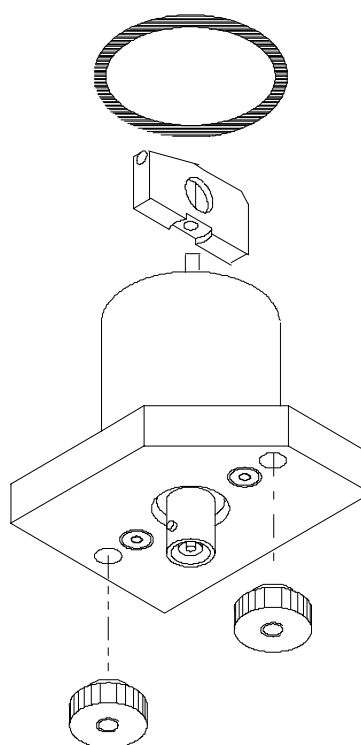
Measuring range:
0.00 to 10.00 ppm free chlorine
0 to 1 ppm ozone
0 to 3 ppm ClO₂, Br, J

Operating temperature: 0 to 50 °C

Weight: 120 g

Delivery includes:

Disinfectant sensor with BNC plug, rotor, o-ring seal and mounting accessories.



Order number	TRIDES Dis-sensor	A-87.450.010
--------------	-------------------	--------------