

Flow cell with flow adjustment valve for pH, redox/ORP and ion selective sensors. Sample flow meter, sample pressure controller and sensor cleaning available as options.

## Flow cell M-Flow 3PG

Flow cell made of PVC and acrylic glass with three PG 13.5 sensor screw connections and with built-in needle valve for sample flow adjustment. Suitable for Ø 12 mm sensors like pH, redox/ORP, ammonium, nitrate, reference and temperature.

Removable transparent vessel allows easy sensor calibration and maintenance.

- Optional built-in cleaning nozzle for sensor water spray cleaning and optional manual pressure controller for cleaning water inlet up to 10 bar.
- Optional manual sample inlet pressure controller for samples up to 10 bar.
- Optional digital sample flow meter for connection to AMI transmitter.

### Technical data

#### Connections

- Sample inlet: Serto PA for 6 mm tube
- Sample outlet: Serto PA for 10 mm tube
- Cleaning water inlet (option): Serto PA for 6 mm tube

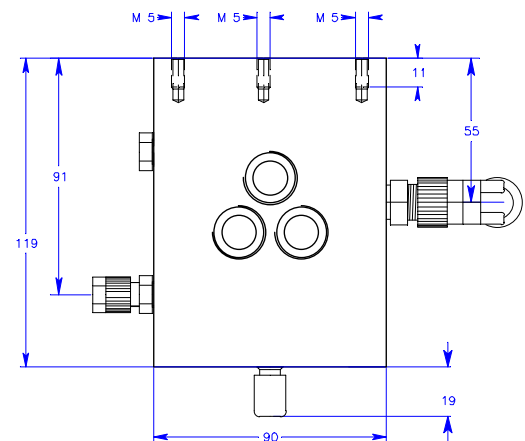
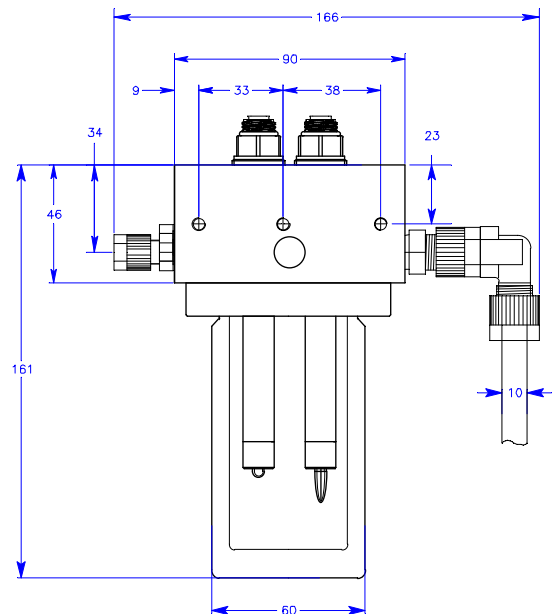
#### Sample conditions

(for the flow cell without sensors!)

- Flow rate: 4 to 15 l/h
- Temperature: up to 50 °C
- Inlet pressure @ 25 °C:
  - up to 1 bar without pressure controller
  - 0.5 to 10 bar with pressure controller
- Pressure-free outlet (atmospheric drain)
- Cleaning water pressure: approx. 3-4 bar
- Particle size: below 0.5 mm
- No strong acids and bases
- No organic solvents

#### Dimensions

- Width: 90 ... 236 mm
- Front-to-back: 138 mm
- Height: 161 ... 215 mm
- Panel mounting: 3 screws M5



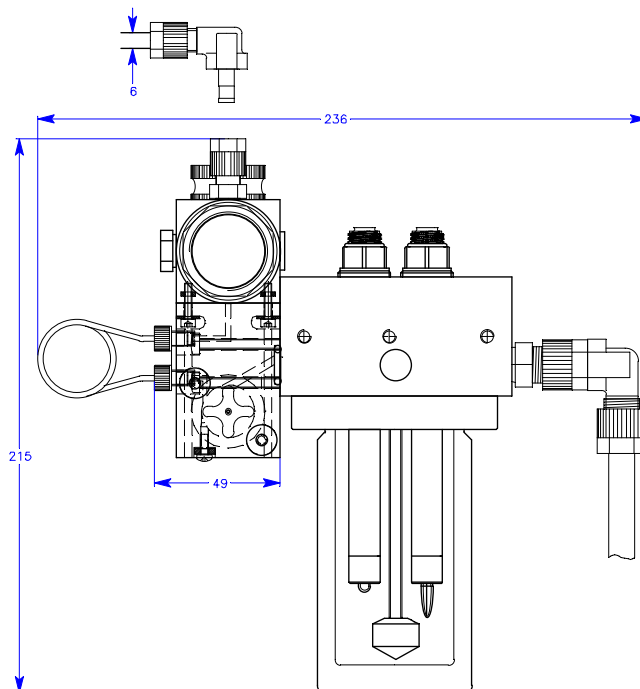
M-Flow 3PG without any options  
(front view and top view).

**Delivery includes:**

Flow cell M-Flow 3PG with flow adjustment valve, two blind plugs PG 13.5 and with straight and 90° Serto connectors for sample in- and outlet. Set of mounting screws.

Order scheme	M-Flow 3PG	A - 8 3 . 4 1	X .	X	1	X
Cleaning option	None .....		↑	↑		↑
	With spray nozzle for sensor cleaning .....	2				
	With spray nozzle for sensor cleaning and manual pressure controller for cleaning water .....	3				
Pressure controller	None .....				1	
	With manual sample pressure controller .....				2	
Flow meter	With digital sample flow meter .....				3	
	With digital sample flow meter and manual sample pressure controller .....				4	
Flow meter cable length	None .....					0
	Cable 1 m .....					1
	Cable 5 m .....					5
	Cable 15 m .....					7

**Options:** A-89.410.110 Mounting panel for flow cell made of white PVC. Dimensions (w x h x d): 280 x 200 x 10 mm.  
A-83.910.020 Sensor mounting adapter for Ø 12 mm sensors in PG 13.5 thread.



M-Flow 3PG with all possible options (A-83.414.411):  
 - spray nozzle for sensor cleaning  
 - pressure controller for cleaning water  
 - digital sample flow meter with sample pressure controller